

General Information:

Marathon has been manufacturing quality fuse holders for over 40 years. Quality is incorporated in the design of every Marathon fuse holder.

The product line includes a broad range of holders to accommodate the following fuses: Class H, K, R, T, J, CC, G, CD, M (Miscellaneous/10x38) and Semi-Conductor holders. The majority of these fuse holders are available from 250 to 1000 volts at current ratings from 30 through 600 Amperes.

The Class R, T, J, CD, CC and Semi-Conductor fuse holders have passed 200,000 ampere short circuit withstand testing in accordance with the fuse holder standard UL 512 and complies to new harmonized standard UL 4248.

Class R and CC fuse holders have a rejection feature, which prevents the insertion of a fuse with lower interrupting rating. Class T and J fuse holders prevent the use of fuses with lower interrupting rating because of their unique size.

Fuse Clips:

Marathon's 30 and 60 Amp fuse holders are equipped with the "Cool-Clip®" design. The heat generated in a fuse clip can actually reduce the life of the fuse, the clip and the conductor, as well as the protection power of the fusing device.

Reinforcing members are available for most Marathon fuse holders and are recommended for use where an improved performance is desired or more severe conditions exist. They are recommended for electric heat or where high ambient temperatures are present.

To comply with Automotive Industry Standard ET-2 use the following options:

- Class H Fuse Holder with Reinforcing Member
- 30 Amp use SP Connectors or Copper Box Connectors
- 60 Amp use Copper Box Connectors

Marathon Special Products fuse holders comply to new harmonized fuse holder standard 4248. Please refer to www.marathonsp.com for the latest updates.

Wire Connectors:

Marathon fuse holders are available with five types of wire connectors.

S Screw Connector

An economical connector for use with a wire, or either a ring or spade type terminal. Screw is #10-32 steel.

SQ Screw Connector w/Quick Connects

Same as screw connector with additional quick connect options.

SP Sems Pressure Connector

A positive pressure connector eliminating the need for a wire terminal. Ideal for use where there is a vibration problem. Sems pressure screw is #10-32 steel.

SPQ Sems Pressure Connector w/Quick Connects

Same as Sems connector with additional quick connect options.

B Box Connector

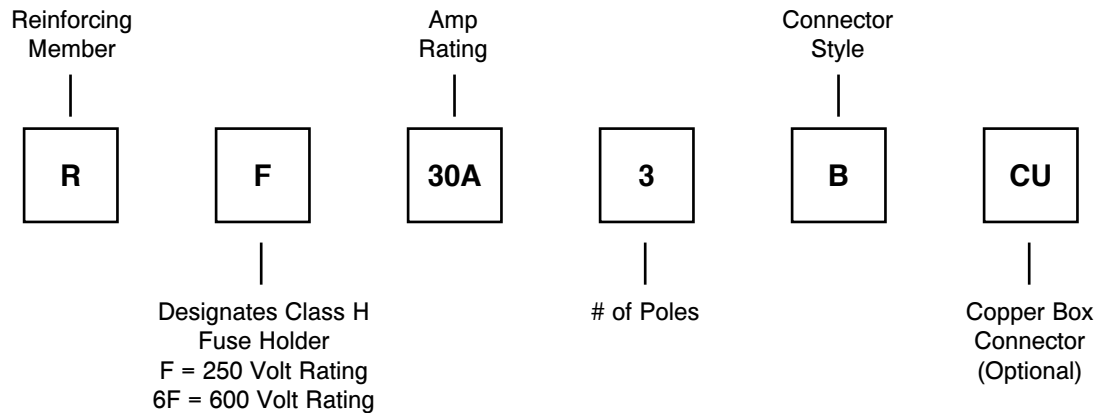
Suitable for use with stranded or solid wire. Connector is aluminum tin plated.

Copper Box Connectors are available on 30 and 60 amp fuse holders. Add CU after the catalog number.

Wire Ranges:

All wire ranges shown in the fuse holder section are the ranges of the wire that the connector will accept or that is recommended for the fuse holder assembly.

Ordering Code:



Applications:

Marathon fuse holders can be used in various applications, including control panels, lighting and heating circuits, motor circuits, circuit breaker protection, switchgear equipment, appliances, electric heat, air conditioning and refrigeration equipment, elevator systems, transformer protection, and solar applications.