

Kulka® Military Class

(A-A-59125) / (MIL-T-55164)

Military Class: Closed Back

Supercedes MIL-T-59125

These military blocks feature molded-in terminals in an improved Kulka® design for greater strength and flexibility. The mounting holes are covered with molded-in reinforcement straddle plates.



37TB04B

A-A-59125/ MIL-T-55164 Information		Terminal Type	Voltage		Current	Wire & Lug Information				
Class	Spec #		Description	Max Rated		Dielectric with Test	Max Rated	Screw Size	RECMD Max Wire Size	MS17143 Lug #
37 TB	/ 1	Double Screw	300 V RMS	3000 V RMS	15 Amp 60 Hz	#6	#16 AWG	-11	0.282" [7.2]	8-10 [0.9-1.1]
38 TB	/ 2	Double Screw	600 V RMS	3400 V RMS	20 Amp 60 Hz	#6	#14 AWG	-14	0.31" [7.9]	8-10 [0.9-1.1]
39 TB	/ 3	Double Screw	600 V RMS	4000 V RMS	30 Amp 60 Hz	#8	#10 AWG	-9	0.41" [10.4]	10-12 [1.1-1.4]
40 TB	/ 4	Single Screw Feed Thru	300 V RMS	3000 V RMS	7.5 Amp 60 Hz	#6	#18 AWG	-10	0.282" [7.2]	8-10 [0.9-1.1]
41 TB	/ 5	Single Screw Feed Thru	600 V RMS	3400 V RMS	10 Amp 60 Hz	#6	#16 AWG	-14	0.31" [7.9]	8-10 [0.9-1.1]
42 TB	/ 6	Single Screw Feed Thru	600 V RMS	4000 V RMS	15 Amp 60 Hz	#8	#14 AWG	-8	0.41" [10.4]	10-12 [1.1-1.4]

*Marathon Special Products manufactures terminal blocks that are constructed to meet MIL-T-55164C and A-A-59125. Mil standard A-A-59125, dated September 16, 1997, supercedes MIL-T-55164C. We will continue to supply the same parts for this spec. The CID identifier will be the same class number as for MIL-T-55164C.

37TBXXB and 40TBXXB are constructed and qualified to meet A-A-59125 only.

The old MIL-T-55164C standard required Group A and Group B testing. The Group B testing was required every three years. Since the new A-A-59125 standard does not require Group B testing, we have elected to discontinue this test. We will continue to do Group A testing.

The following blocks are effected by this change:

Class/Spec #

37TB / 1
38TB / 2
39TB / 3
40TB / 4
41TB / 5
42TB / 6

37TB-B/40TB-B Series

300 Volts AC/DC

Specifications:

- Base, Valox 420-SEO, Grey Color, 130°C
- Closed Back Design
- Screws, Brass Nickel Plate, 6-32 Binder Head, Slotted
- Terminals, Brass Nickel Plate
- 2-20 Poles, Consult Customer Service for Longer Lengths
- 3/8" Centers
- Flammability Rating 94 V-O
- Wire Size #16
- 15 Amps
- Parts are supplied with end plates
- RoHS Compliant



37TB04B

Catalog Number	Number of Poles	Dimensions	
		A	B
37TB02B	2	1.41	1.12
37TB03B	3	1.78	1.50
37TB04B	4	2.16	1.88
37TB05B	5	2.53	2.25
37TB06B	6	2.91	2.62
37TB07B	7	3.28	3.00
37TB08B	8	3.66	3.38
37TB09B	9	4.03	3.75
37TB10B	10	4.41	4.12
37TB11B	11	4.78	4.50
37TB12B	12	5.16	4.88
37TB13B	13	5.53	5.25
37TB14B	14	5.91	5.62
37TB15B	15	6.28	6.00
37TB16B	16	6.66	6.38
37TB17B	17	7.03	6.75
37TB18B	18	7.41	7.12
37TB19B	19	7.78	7.50
37TB20B	20	8.16	7.88

Hardware Options:

Lug Types (Commercial):
 3/4 ST 600 = Half Solder See Page 106
 ST600 = Full Solder See Page 106

Feed-Thru Hardware Options:

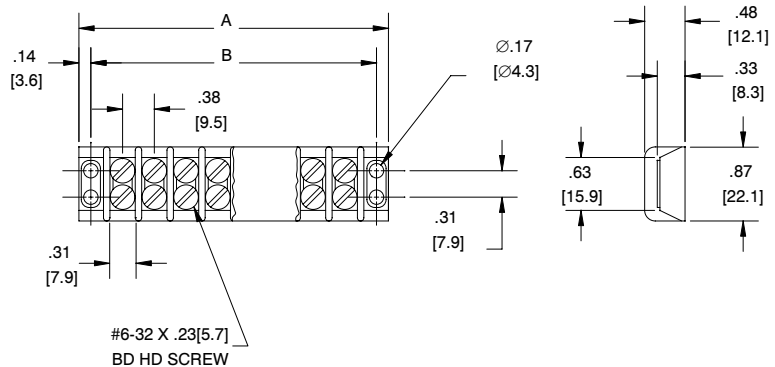
Long Feed-Thru Solder
 40TB B Only

Accessories: (Jumper Commercial Grade)

Marking Strips = MSA, MSB, MSC See Page 137
 Jumper = J600, 600RJ, 600RJ(S) See Page 107

Service Options:

Consult Customer Service



For electronic drawings or 2D/3D CAD data, submit request at www.marathonsp.com/drawings.html

Kulka® Military Class

(A-A-59125) / (MIL-T-55164)

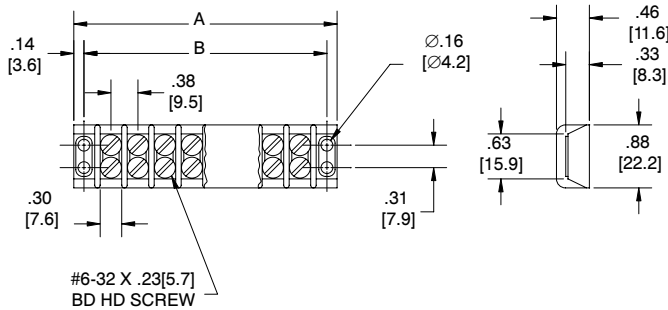
37TB-Military Class (A-A-59125/1)/(MIL-T-55164/1)

Molded Material:

- Plastic: Grade F temperature rating 155°C per MIL-M-14
- Screws: Brass per QQ-W-321, nickel plated per QQ-N-290
- Terminal Plates: Brass per QQ-B-613, nickel plated per QQ-N-290

Electrical Rating:

- Rated voltage (maximum): 300 volts
- Current rating: 15 Amps
- D.W.V.: 3000 volts RMS



Military Type Designation	Number of poles	Dimensions	
		A	B
37TB 02 F	2	1.360-1.453	1.109-1.156
37TB 03 F	3	1.735-1.828	1.484-1.531
37TB 04 F	4	2.110-2.203	1.859-1.906
37TB 05 F	5	2.500-2.593	2.234-2.281
37TB 06 F	6	2.876-2.969	2.609-2.656
37TB 07 F	7	3.250-3.343	2.984-3.031
37TB 08 F	8	3.626-3.719	3.359-3.406
37TB 09 F	9	4.000-4.093	3.734-3.781
37TB 10 F	10	4.376-4.469	4.109-4.156
37TB 11 F	11	4.750-4.843	4.484-4.531
37TB 12 F	12	5.126-5.219	4.859-4.906
37TB 13 F	13	5.500-5.593	5.234-5.281
37TB 14 F	14	5.876-5.969	5.609-5.656
37TB 15 F	15	6.250-6.365	5.969-6.047
37TB 16 F	16	6.626-6.735	6.344-6.422
37TB 17 F	17	7.000-7.109	6.719-6.797
37TB 18 F	18	7.376-7.485	7.094-7.172
37TB 19 F	19	7.752-7.812	7.469-7.547
37TB 20 F	20	8.127-8.187	7.844-7.922
37TB 21 F	21	8.502-8.562	8.219-8.297
37TB 22 F	22	8.877-8.937	8.594-8.672
37TB 23 F	23	9.252-9.312	8.969-9.047
37TB 24 F	24	9.627-9.687	9.344-9.422
37TB 25 F	25	10.002-10.062	9.719-9.797
37TB 26 F	26	10.377-10.437	10.094-10.172
37TB 27 F	27	10.752-10.812	10.469-10.547
37TB 28 F	28	11.127-11.187	10.844-10.922
37TB 29 F	29	11.502-11.562	11.219-11.297
37TB 30 F	30	11.877-11.937	11.594-11.672
37TB 31 F	31	12.252-12.312	11.969-12.047

mm=dim X 25.4

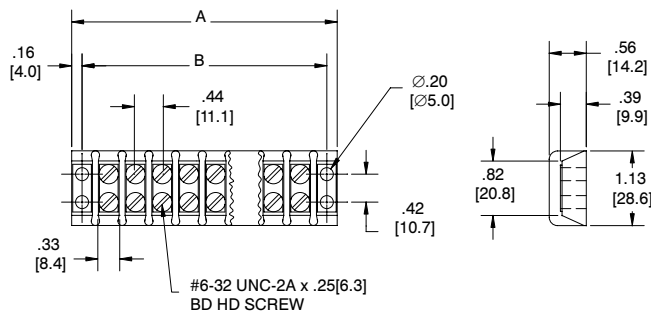
38TB-Military Class (A-A-59125/2)/(MIL-T-55164/2)

Molded Material:

- Plastic: Grade F temperature rating 155°C per MIL-M-14
- Screws: Brass per QQ-W-321, nickel plated per QQ-N-290
- Terminal Plates: Brass per QQ-B-613, nickel plated per QQ-N-290

Electrical Rating:

- Rated voltage (maximum): 600 volts
- Current rating: 20 Amps
- D.W.V.: 3400 volts RMS



Military Type Designation	Number of poles	Dimensions	
		A	B
38TB 02 F	2	1.579-1.672	1.296-1.343
38TB 03 F	3	2.016-2.109	1.734-1.781
38TB 04 F	4	2.454-2.547	2.172-2.219
38TB 05 F	5	2.891-2.984	2.609-2.656
38TB 06 F	6	3.329-3.422	3.046-3.093
38TB 07 F	7	3.766-3.859	3.484-3.531
38TB 08 F	8	4.204-4.297	3.937-3.984
38TB 09 F	9	4.641-4.734	4.375-4.422
38TB 10 F	10	5.079-5.172	4.812-4.859
38TB 11 F	11	5.532-5.625	5.250-5.297
38TB 12 F	12	5.969-6.078	5.687-5.734
38TB 13 F	13	6.407-6.516	6.110-6.188
38TB 14 F	14	6.844-6.953	6.547-6.625
38TB 15 F	15	7.282-7.391	6.985-7.063
38TB 16 F	16	7.719-7.828	7.422-7.500
38TB 17 F	17	8.157-8.266	7.860-7.938
38TB 18 F	18	8.594-8.703	8.297-8.375
38TB 19 F	19	9.079-9.156	8.750-8.828
38TB 20 F	20	9.517-9.594	9.188-9.266
38TB 21 F	21	9.954-10.031	9.625-9.703
38TB 22 F	22	10.392-10.469	10.063-10.141
38TB 23 F	23	10.829-10.906	10.500-10.578

mm=dim X 25.4

For electronic drawings or 2D/3D CAD data, submit request at www.marathonsp.com/drawings.html

Kulka® Military Class (A-A-59125) / (MIL-T-55164)

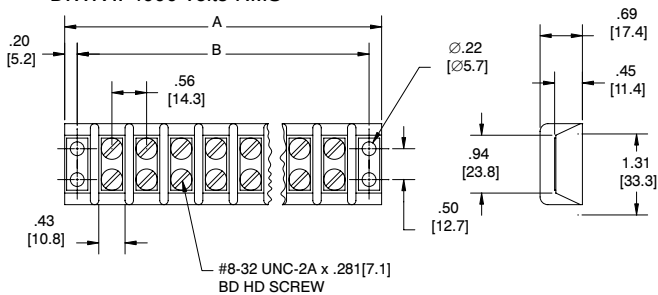
39TB-Military Class (A-A-59125/3)/(MIL-T-55164/3)

Molded Material:

- Plastic: Grade F temperature rating 155°C per MIL-M-14
- Screws: Brass per QQ-W-321, nickel plated per QQ-N-290
- Terminal Plates: Brass per QQ-B-613, nickel plated per QQ-N-290

Electrical Rating:

- Rated voltage (maximum): 600 volts
- Current rating: 30 Amps
- D.W.V.: 4000 volts RMS



Military Type Designation	Number of poles	Dimensions	
		A	B
39TB 02 F	2	2.047-2.140	1.672-1.719
39TB 03 F	3	2.626-2.719	2.234-2.281
39TB 04 F	4	3.188-3.281	2.796-2.843
39TB 05 F	5	3.750-3.843	3.359-3.406
39TB 06 F	6	4.313-4.406	3.922-3.969
39TB 07 F	7	4.876-4.969	4.484-4.531
39TB 08 F	8	5.438-5.531	5.046-5.093
39TB 09 F	9	6.000-6.109	5.625-5.672
39TB 10 F	10	6.563-6.672	6.172-6.250
39TB 11 F	11	7.126-7.235	6.719-6.797
39TB 12 F	12	7.688-7.797	7.297-7.375
39TB 13 F	13	8.250-8.359	7.860-7.938
39TB 14 F	14	8.813-8.922	8.422-8.500
39TB 15 F	15	9.376-9.485	8.985-9.063
39TB 16 F	16	9.938-10.047	9.547-9.625
39TB 17 F	17	10.500-10.609	10.110-10.188
39TB 18 F	18	11.079-11.188	10.672-10.750

mm=dim X 25.4

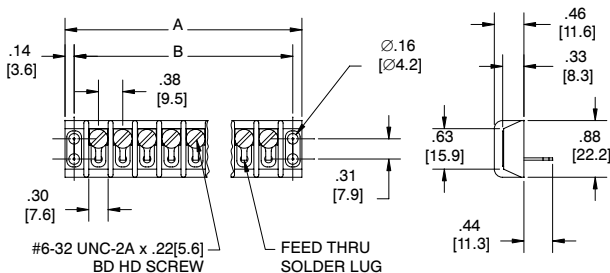
40TB-Military Class (A-A-59125/4)/(MIL-T-55164/4)

Molded Material:

- Same as 37 TB Class
- Hardware: Lug, Brass per QQ-B-613, tin plated

Electrical Rating:

- Rated voltage (maximum): 300 volts
- Current rating: 7.5 Amps
- D.W.V.: 3000 volts RMS



Military Type Designation	Number of poles	Dimensions	
		A	B
40TB 02 F	2	1.360-1.453	1.109-1.156
40TB 03 F	3	1.735-1.828	1.484-1.531
40TB 04 F	4	2.110-2.203	1.859-1.906
40TB 05 F	5	2.500-2.593	2.234-2.281
40TB 06 F	6	2.876-2.969	2.609-2.656
40TB 07 F	7	3.250-3.343	2.984-3.031
40TB 08 F	8	3.626-3.719	3.359-3.406
40TB 09 F	9	4.000-4.093	3.734-3.781
40TB 10 F	10	4.376-4.469	4.109-4.156
40TB 11 F	11	4.750-4.843	4.484-4.531
40TB 12 F	12	5.126-5.219	4.859-4.906
40TB 13 F	13	5.500-5.593	5.234-5.281
40TB 14 F	14	5.876-5.969	5.609-5.656
40TB 15 F	15	6.250-6.365	5.969-6.047
40TB 16 F	16	6.626-6.735	6.344-6.422
40TB 17 F	17	7.000-7.109	6.719-6.797
40TB 18 F	18	7.376-7.485	7.094-7.172
40TB 19 F	19	7.752-7.812	7.469-7.547
40TB 20 F	20	8.127-8.187	7.844-7.922
40TB 21 F	21	8.502-8.562	8.219-8.297
40TB 22 F	22	8.877-8.937	8.594-8.672
40TB 23 F	23	9.252-9.312	8.969-9.047
40TB 24 F	24	9.627-9.687	9.344-9.422
40TB 25 F	25	10.002-10.062	9.719-9.797
40TB 26 F	26	10.377-10.437	10.094-10.172
40TB 27 F	27	10.752-10.812	10.469-10.547
40TB 28 F	28	11.127-11.187	10.844-10.922
40TB 29 F	29	11.502-11.562	11.219-11.297
40TB 30 F	30	11.877-11.937	11.594-11.672
40TB 31 F	31	12.252-12.312	11.969-12.047

mm=dim X 25.4

For electronic drawings or 2D/3D CAD data, submit request at www.marathonsp.com/drawings.html

Kulka® Military Class

(A-A-59125) / (MIL-T-55164)

41TB-Military Class

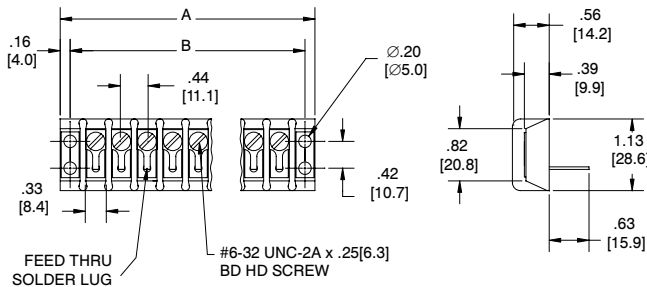
(A-A-59125/5)/(MIL-T-55164/5)

Molded Material:

- Same as 38TB Class
- Hardware: Lug, Brass per QQ-B-613, tin plated

Electrical Rating:

- Rated voltage (maximum): 600 volts
- Current rating: 10 Amps
- D.W.V.: 3400 volts RMS



Military Type Designation	Number of poles	Dimensions	
		A	B
41TB 02 F	2	1.579-1.672	1.296-1.343
41TB 03 F	3	2.016-2.109	1.734-1.781
41TB 04 F	4	2.454-2.547	2.172-2.219
41TB 05 F	5	2.891-2.984	2.609-2.656
41TB 06 F	6	3.329-3.422	3.046-3.093
41TB 07 F	7	3.766-3.859	3.484-3.531
41TB 08 F	8	4.204-4.297	3.937-3.984
41TB 09 F	9	4.641-4.734	4.375-4.422
41TB 10 F	10	5.079-5.172	4.812-4.859
41TB 11 F	11	5.532-5.625	5.250-5.297
41TB 12 F	12	5.969-6.078	5.687-5.734
41TB 13 F	13	6.407-6.516	6.110-6.188
41TB 14 F	14	6.844-6.953	6.547-6.625
41TB 15 F	15	7.282-7.391	6.985-7.063
41TB 16 F	16	7.719-7.828	7.422-7.500
41TB 17 F	17	8.157-8.266	7.860-7.938
41TB 18 F	18	8.594-8.703	8.297-8.375
41TB 19 F	19	9.079-9.156	8.750-8.828
41TB 20 F	20	9.517-9.594	9.188-9.266
41TB 21 F	21	9.954-10.031	9.625-9.703
41TB 22 F	22	10.392-10.469	10.063-10.141
41TB 23 F	23	10.829-10.906	10.500-10.578

mm=dim X 25.4

42TB-Military Class

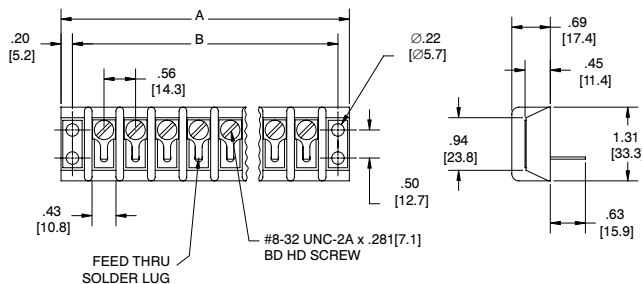
(A-A-59125/6)/(MIL-T-55164/6)

Molded Material:

- Same as 39TB Class
- Hardware: Lug, Brass per QQ-B-613, tin plated

Electrical Rating:

- Rated voltage (maximum): 600 volts
- Current rating: 15 Amps
- D.W.V.: 3400 volts RMS



Military Type Designation	Number of poles	Dimensions	
		A	B
42TB 02 F	2	2.047-2.140	1.672-1.719
42TB 03 F	3	2.626-2.719	2.234-2.281
42TB 04 F	4	3.188-3.281	2.796-2.843
42TB 05 F	5	3.750-3.843	3.359-3.406
42TB 06 F	6	4.313-4.406	3.922-3.969
42TB 07 F	7	4.876-4.969	4.484-4.531
42TB 08 F	8	5.438-5.531	5.046-5.093
42TB 09 F	9	6.000-6.109	5.625-5.672
42TB 10 F	10	6.563-6.672	6.172-6.250
42TB 11 F	11	7.126-7.235	6.719-6.797
42TB 12 F	12	7.688-7.797	7.297-7.375
42TB 13 F	13	8.250-8.359	7.860-7.938
42TB 14 F	14	8.813-8.922	8.422-8.500
42TB 15 F	15	9.376-9.485	8.985-9.063
42TB 16 F	16	9.938-10.047	9.547-9.625
42TB 17 F	17	10.500-10.609	10.110-10.188
42TB 18 F	18	10.079-11.188	10.672-10.750

mm=dim X 25.4

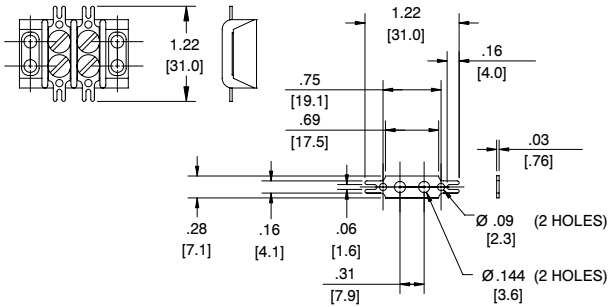
For electronic drawings or 2D/3D CAD data, submit request at www.marathonsp.com/drawings.html

Kulka® Military Class

(A-A-59125) / (MIL-T-55164)

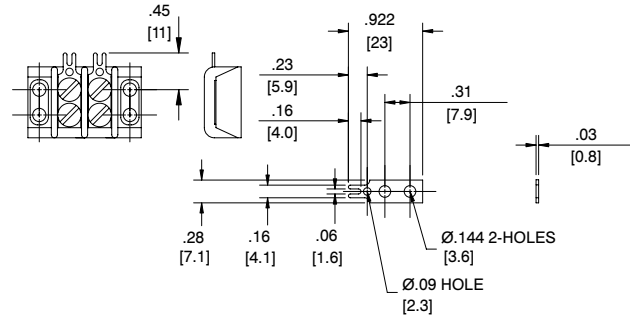
*Solder Hardware Dimensions are not to Mil Spec

37TBLD (Commercial Equivalent)



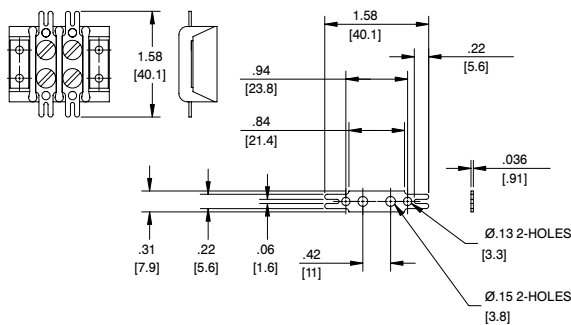
This is an assembly of the 37TB Class Terminal Board and a two-sided terminal lug (ST600). Available in lengths from 2 terminals through 31 terminals. Lugs are brass, tin plated.

37TBLS (Commercial Equivalent)



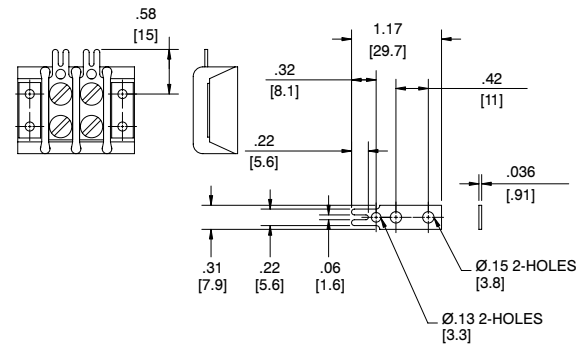
This is an assembly of the 37TB Class Terminal Board and a one-sided terminal lug (3/4 ST600). Available in lengths from 2 terminals through 31 terminals. Lugs are brass, tin plated.

38TBLD (Commercial Equivalent)



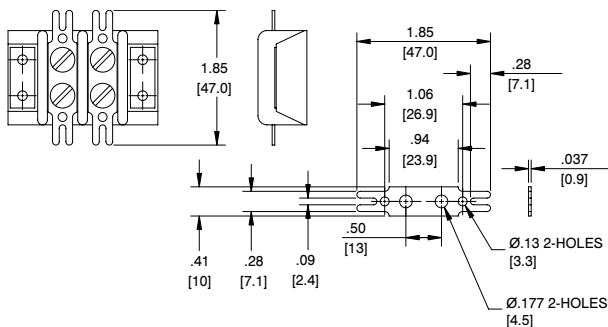
This is an assembly of the 38TB Class Terminal Board and a two-sided terminal lug (ST601). Available in lengths from 2 terminals through 23 terminals. Lugs are brass, tin plated.

38TBLS (Commercial Equivalent)



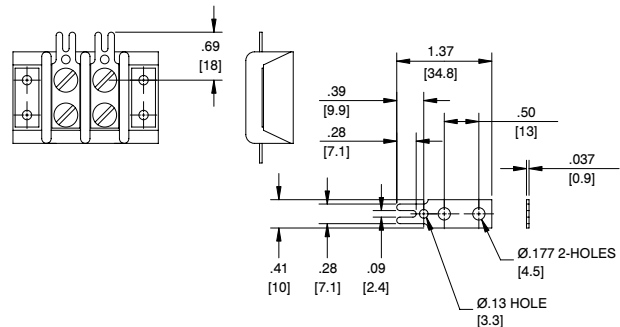
This is an assembly of the 38TB Class Terminal Board and a one-sided terminal lug (3/4 ST601). Available in lengths from 2 terminals through 23 terminals. Lugs are brass, tin plated.

39TBLD (Commercial Equivalent)



This is an assembly of the 39TB Class Terminal Board and a two-sided terminal lug (ST602). Available in lengths from 2 terminals through 18 terminals. Lugs are brass, tin plated.

39TBLS (Commercial Equivalent)

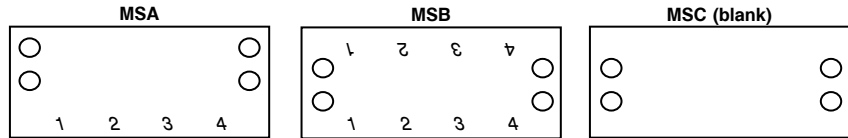


This is an assembly of the 39TB Class Terminal Board and a one-sided terminal lug (3/4 ST602). Available in lengths from 2 terminals through 18 terminals. Lugs are brass, tin plated.

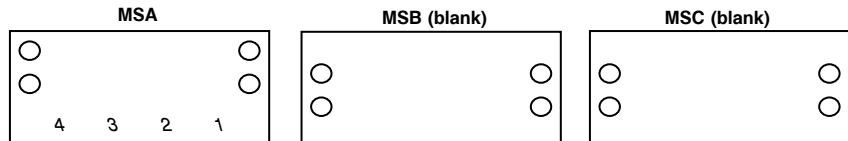
For electronic drawings or 2D/3D CAD data, submit request at www.marathonsp.com/drawings.html

Marking Styles MSA, MSB, MSC

Top Surface of Marking Strip



Bottom Surface of Marking Strip



Requirements:

- Type Mount: Bottom Only
- Dimensions: See Below
- Material: Type GME
- Marking: Marking Strips shall be Marked in Accordance with CID A-A-59125 (can be provided to MIL T55164)

A single letter shall be inserted in the above type designation to specify the marking style (A, B or C).

Both the front and the back of the marking strips shall be marked as indicated. The numbers shall be marked at a $45 \pm 2^\circ$ angle with reference to the side of the marking strip, as indicated.

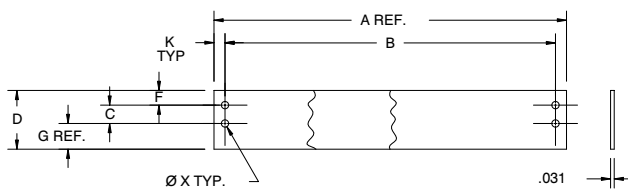
Type MSC37TB (blank single sided marking strip) shall have the same dimensions as type MSA.

Series	Style	Dimensions							
		C	D	F	G	K	W	X	N*
37TB	MSA, MSC	0.31	1.19	0.28	0.60	0.14	0.13	0.16	0.88
40TB	MSB		1.50	0.59	--				
38TB	MSA, MSC	0.42	1.50	0.34	0.69	0.16	0.13	0.18	1.13
41TB	MSB		1.75	0.67	--				
39TB	MSA, MSC	0.50	1.63	0.41	0.75	0.20	0.13	0.21	1.31
42TB	MSB		2.00	0.69	--				

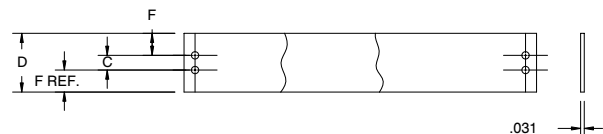
*N dimension to replace D dimension for insulator strips
 **Consult Customer Service on marking strips that are for terminal blocks with Z lugs.

For overall lengths, reference appropriate terminal block series A & B dimensions

Styles MSA & MSC:



Style MSB:



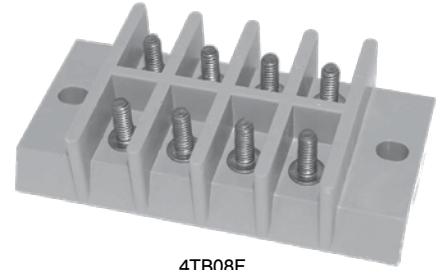
Kulka® Navy Class

(A-A-59125) / (MIL-T-55164)

Notes:

Molded material is MAI-60 in accordance with MIL-M-14 (*Molded material is GDI30F).

The stud connector for these terminal boards is considered part of the stud and is required, unless otherwise specified. With the stud connector removed, the terminal board will provide twice the number of connection points and allow for an additional wire per terminal.



4TB08F

Nuts and connectors are provided when appropriate. They are unplated brass and shipped unassembled.

A-A-59125/ MIL-T-55164 Information		Terminal Type Description	Voltage		Current Max Rated	Wire & Lug Information				
Class	Spec #		Max Rated	Dielectric with Test		Screw Size	RECMD Max Wire Size	MS17143 Lug #	Max Lug Width	RECMD Torque Lb-In (N-M)
3 TB	/ 9	Single Stud Single Row	600 V RMS	2000 V RMS	45 Amp 60 Hz	#8	#10 AWG	-3	0.395" [10.0]	16-18 [1.8-2.0]
4 TB	/ 10	Single Stud Double Row	600 V RMS	2200 V RMS	40 Amp 60 Hz	#8	#12 AWG	-3	0.395" [10.0]	16-18 [1.8-2.0]
5 TB	/ 11	Feed Thru Stud Single Row	600 V RMS	2200 V RMS	50 Amp 60 Hz	#8	#10 AWG	-3	0.395" [10.0]	16-18 [1.8-2.0]
6 TB	/ 12	Single Stud Double Row	600 V RMS	2200 V RMS	30 Amp 60 Hz	#6	#14 AWG	-5	0.307" [7.8]	10-12 [1.1-1.4]
7 TB	/ 13	Feed Thru Stud Single Row	600 V RMS	2200 V RMS	40 Amp 60 Hz	#6	#12 AWG	-6	0.307" [7.8]	10-12 [1.1-1.4]
8 TB 8 TBHT*	/ 14	Double Stud Double Row	300 V RMS	1500 V RMS	30 Amp 60 Hz	#5	#14 AWG	-11	0.282" [7.2]	8-10 [0.9-1.1]
9 TB	/ 15	Single Stud Single Row	300 V RMS	1500 V RMS	35 Amp 60 Hz	#6	#12 AWG	—	0.307" [7.8]	10-12 [1.1-1.4]
10 TB	/ 16	Single Stud Double Row	600 V RMS	2200 V RMS	30 Amp 60 Hz	#6	#14 AWG	—	0.242" [6.11]	10-12 [1.1-1.4]
11 TB	/ 17	Feed Thru Stud Single Row	600 V RMS	2200 V RMS	40 Amp 60 Hz	#6	#12 AWG	-15	0.242" [6.1]	10-12 [1.1-1.4]
15 TB	/ 19	Single Stud Double Row	600 V RMS	2200 V RMS	30 Amp 60 Hz	#8	#14 AWG	-8	0.307" [7.8]	16-18 [1.8-2.0]
16 TB	/ 20	Single Stud Double Row	1000 V RMS	3000 V RMS	40 Amp 60 Hz	#8	#12 AWG	-3	0.395" [10.0]	16-18 [1.8-2.0]
17 TB	/ 21	Double Stud Double Row	600 V RMS	2200 V RMS	40 Amp 60 Hz	#6	#12 AWG	-3	0.395" [10.0]	10-12 [1.1-1.4]
25 TB 25 TBHT*	/ 23	Single Stud Single Row	300 V RMS	1500 V RMS	25 Amp 60 Hz	#4	#14 AWG	-17	0.242" [6.1]	6-8 [0.7-0.9]
26 TB 26 TBHT*	/ 24	Double Stud Double Row	300 V RMS	1500 V RMS	20 Amp 60 Hz	#4	#16 AWG	-20	0.242" [6.1]	6-8 [0.7-0.9]

*Marathon Special Products manufactures terminal blocks that are constructed to meet MIL-T-55164C and A-A-59125. Mil standard A-A-59125, dated September 16, 1997, supercedes MIL-T-55164C. We will continue to supply the same parts for this spec. The CID identifier will be the same class number as for MIL-T-55164C.

The old MIL-T-55164C standard required Group A and Group B testing. The Group B testing was required every three years. Since the new A-A-59125 standard does not require Group B testing, we have elected to discontinue this test. We will continue to do Group A testing.

The following blocks are affected by this change:

Class/Spec #	3TB / 9	6TB / 12	9TB / 15	15TB / 19	25TB / 23
	4TB / 10	7TB / 13	10TB / 16	16TB / 20	26TB / 24
	5TB / 11	8TB / 14	11TB / 17	17TB / 21	

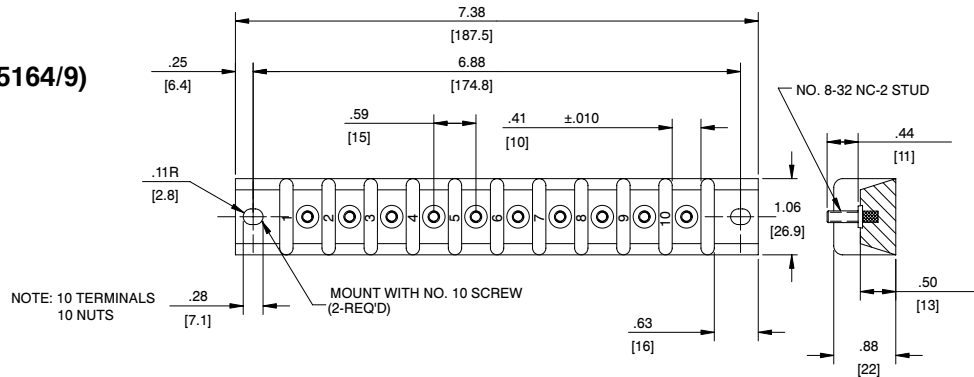
Kulka® Navy Class

(A-A-59125) / (MIL-T-55164)

3TB SERIES

(A-A-59125/9) / MIL-T-55164/9)

Catalog number: 3TB10F

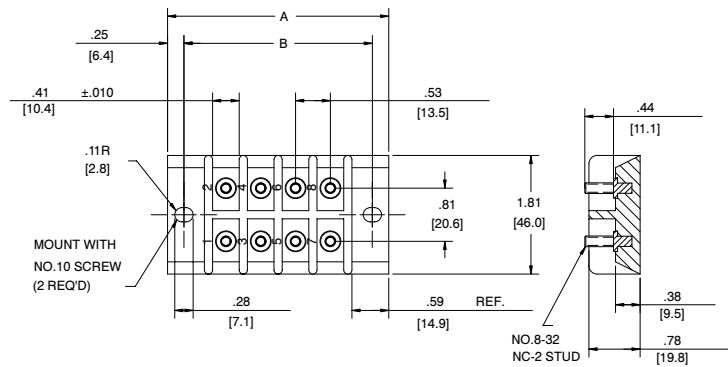


4TB SERIES

(A-A-59125/10) / (MIL-T-55164/10)

Double Row, Front Connection				
Type	# of Term	Dim. A	Dim. B	Nuts
4 TB 08F	8	3.38	2.88	8

mm = dim X 25.4

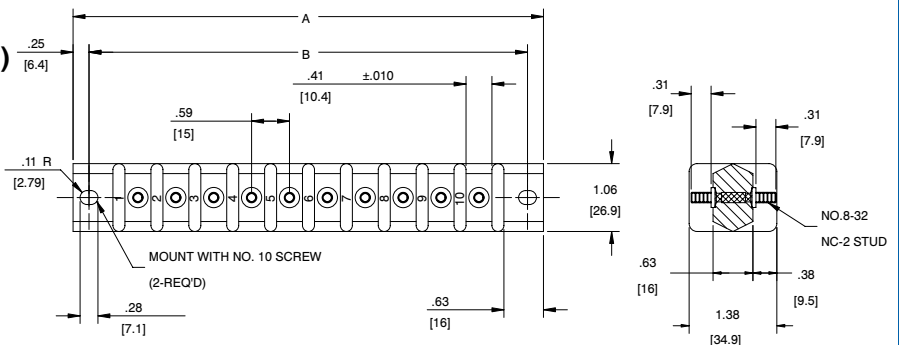


5TB SERIES

(A-A-59125/11) / (MIL-T-55164/11)

Single Row, Through Connection				
Type	# of Term	Dim. A	Dim. B	Nuts
5 TB 08F	8	6.13	5.63	16
5 TB 10F	10	7.38	6.88	20

mm = dim X 25.4

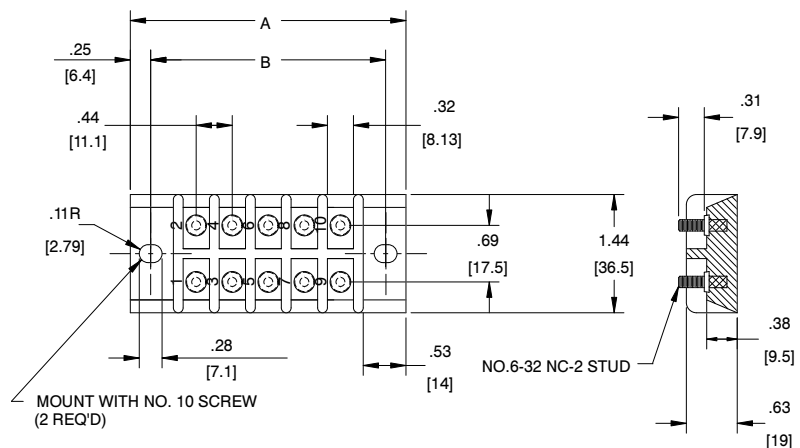


6TB SERIES

(A-A-59125/12) / (MIL-T-55164/12)

Double Row, Front Connection				
Type	# of Term	Dim. A	Dim. B	Nuts
6 TB 06F	6	2.50	2.00	6
6 TB 10F	10	3.38	2.88	10
6 TB 24F	24	6.50	6.00	24

mm = dim X 25.4



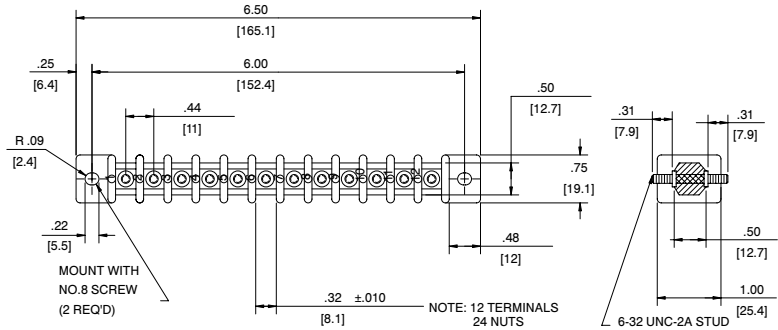
For electronic drawings or 2D/3D CAD data, submit request at www.marathonsp.com/drawings.html

Datasheets available at marathonsp.com

Kulka® Navy Class (A-A-59125) / (MIL-T-55164)

7TB SERIES (A-A-59125/13) / (MIL-T-55164/13)

Catalog number: 7TB12F



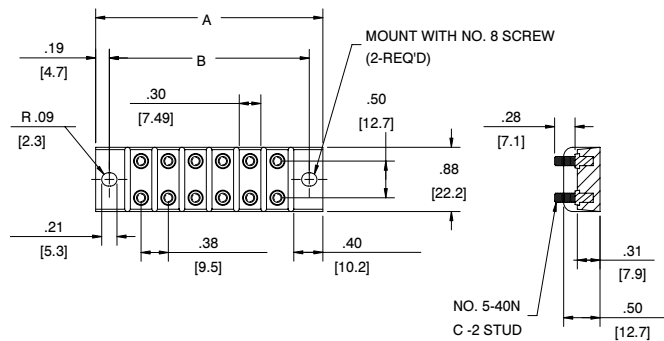
8TB SERIES (A-A-59125/14) / (MIL-T-55164/14)

Double Row, Linked Front Connection

Type	# of Term.		Dim. A	Dim. B	Nuts
	w/stud connectors	w/o stud connectors			
8 TB 02F	2	4	1.63	1.25	4
8 TB 06F	6	12	3.13	2.75	12
8 TB 08F	8	16	3.88	3.50	16
8 TB 10F	10	20	4.63	4.25	20

8TBHT also available

mm = dim X 25.4

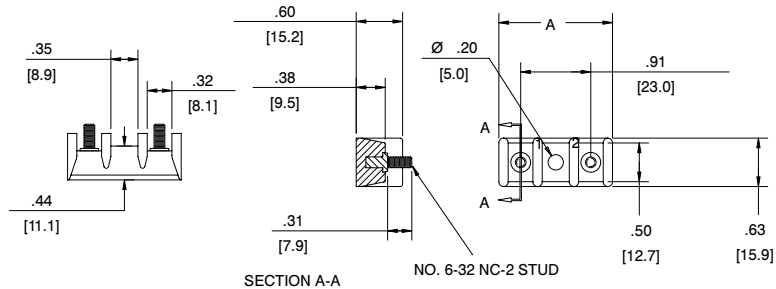


9TB SERIES (A-A-59125/15) / (MIL-T-55164/15)

Single Row, Front Connection

Type	# of Term.	Dim. A	Nuts
9 TB 02F	2	1.48	2
9 TB 04F	4	2.37	4

mm = dim X 25.4

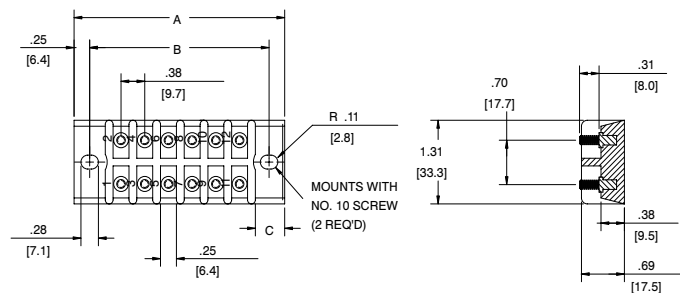


10TB SERIES (A-A-59125/16) / (MIL-T-55164/16)

Double Row, Front Connection

Type	# of Term.	Dim. A	Dim. B	Dim. C	Nuts
10 TB 18F	18	4.63	4.13	0.56	18
10 TB 28F	28	6.50	6.00	0.56	28

mm = dim X 25.4

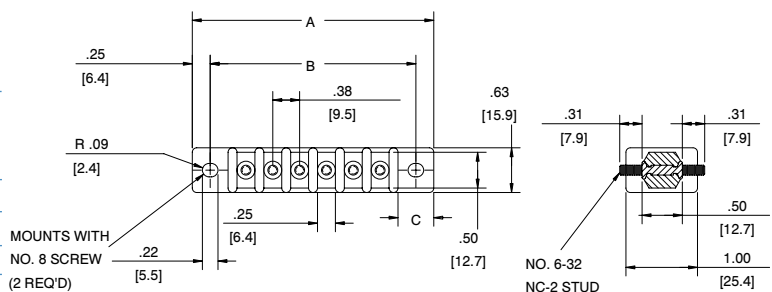


11TB SERIES (A-A-59125/17) / (MIL-T-55164/17)

Single Row, Through Connection

Type	# of Term.	Dim. A	Dim. B	Dim. C	Nuts
11 TB 04F	4	2.50	2.00	0.44	8
11 TB 06F	6	3.38	2.88	0.44	12
11 TB 14F	14	6.50	6.00	0.56	28

mm = dim X 25.4



For electronic drawings or 2D/3D CAD data, submit request at www.marathonsp.com/drawings.html

Kulka® Navy Class

(A-A59125) / (MIL-T-55164)

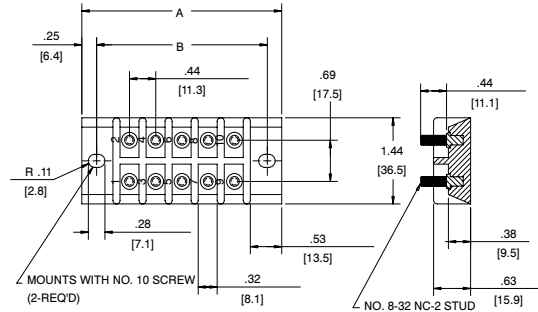
15TB SERIES

(A-A-59125/19) / (MIL-T-55164/19)

Double Row, Front Connection

Type	Number of Terminals	Dim. A	Dim. B	Nuts
15 TB 10F	10	3.38	2.88	10
15 TB 24F	24	6.50	6.00	24

mm = dim X 25.4



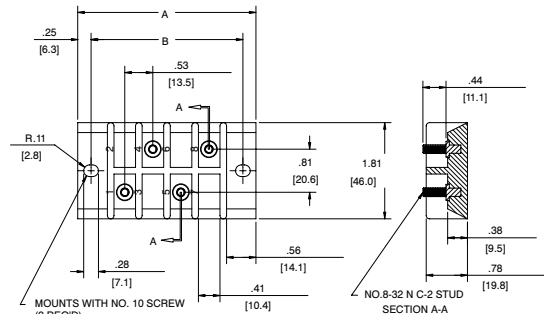
16TB SERIES

(A-A-59125/20) / (MIL-T-55164/20)

Double Row, Front Connection

Type	Number of Terminals	Dim. A	Dim. B	Nuts
16 TB 04F	4	3.38	2.88	4
16 TB 10F	10	6.50	6.00	10

mm = dim X 25.4



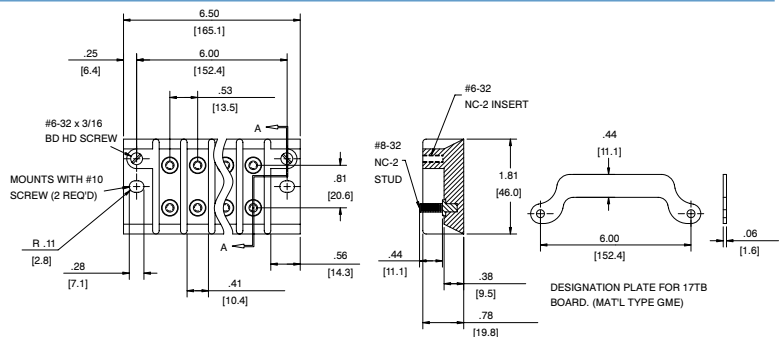
17TB SERIES

(A-A-59125/21) / (MIL-T-55164/21)

Double Row, Front Connection

Type	Number of Terminals		Dim. A	Dim. B	Nuts
	w/stud connectors	w/o stud connectors			
17 TB 10F	10	20	6.50	6.00	10

mm = dim X 25.4



25TB SERIES

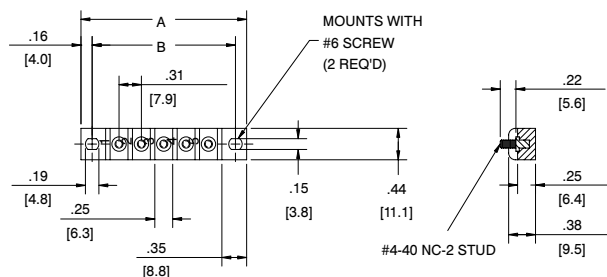
(A-A-59125/23) / (MIL-T-55164/23)

Single Row, Front Connection

Type	# of Term.	Dim. A	Dim. B	Nuts
25 TB 02F	2	1.38	1.06	2
25 TB 05F	5	2.31	2.00	5
25 TB 06F	6	2.63	2.31	6
25 TB 07F	7	2.94	2.63	7
25 TB 09F	9	3.56	3.25	9
25 TB 10F	10	3.88	3.56	10
25 TB 12F	12	4.50	4.19	12

25TBHT also available

mm = dim X 25.4



26TB SERIES

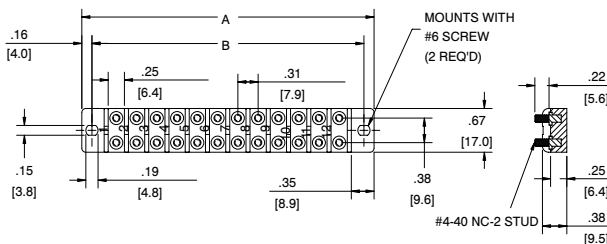
(A-A-59125/24) / (MIL-T-55164/24)

Double Row, Linked Front Connection

Type	# of Term.		Dim. A	Dim. B	Nuts
	w/stud connectors	w/o stud connectors			
26 TB 06F	6	12	2.63	2.31	12
26 TB 08F	8	16	3.25	2.94	16
26 TB 10F	10	20	3.88	3.56	20
26 TB 12F	12	24	4.50	4.19	24

26TBHT also available

mm = dim X 25.4



For electronic drawings or 2D/3D CAD data, submit request at www.marathonsp.com/drawings.html