

Product Data Sheet



1XX Series Std

Replace "XX" with 01 through 36 for number of poles
Terminal Block– Closed Back
20 Amps, 250 Volts (AC/DC)



(6 Pole shown)

Copper Wire Only

Wire Range with Wire Binding Screw: #12 - #22 AWG

3/8" Centers

[See table below for Wire Classes and torque](#)

Electrical Ratings:

- 20A with unprepared wire, (Based on NEC Table 310-16, 75°C columns)
- 20A with Listed ring lug, (Based on NEC Table 310-16, 75°C columns)
- 150 Volts AC/DC (UL 1059 Class C, User Group – General Industrial)
- 250 Volts AC/DC (UL 1059 Class B, User Group – Commercial Appliances)
- Short Circuit Current Rating: 10,000A (Default)
- Approved for Factory and Field Wiring.

Mechanical Ratings:

- Storage and transportation temperature range: -35°C to 110°C (-31°F to 230°F)*
 - Maximum insulator base temperature: 150°C (302°F)* UL RTI
 - Flammability rating of insulator base: UL 94V-1
- * Use outside these ratings needs to be judged in the end-use application.

Materials:

- Connector (Contact): Brass, tin plated.
- Insulator base: Phenolic
- Drive screw (Rivet): Stainless steel
- Screw, #6-32 Binder head, Phil-Slot: Steel, nickel plated

Agency Approvals:

- UL Recognized, UL 1059 Terminal Block Standard, File No. XCFR2.E62806
- CSA Certified, CSA C22.2 No. 158, File No. LR19766
- CE compliant, IEC 60947-7-1
- RoHS Compliant

Wire Range:

Wire Size	Torque	Copper Wire Stranding Classes - Number of Strands		
		Solid	Class B	Class C
12	9 in. Lbs	1	7	19
14	9 in. Lbs	1	7	19
16	9 in. Lbs	1	7	19
18	9 in. Lbs	1	7	19
20	9 in. Lbs	1	7	19
22	9 in. Lbs	1	7	19

Suggested product mounting hardware: #6 fastener, torque to 10-15 in. lbs.

ACCESSORIES:

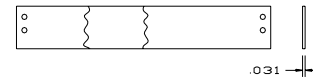
- Printing (for printing options, see Terminal Block Printing)

<http://marathonsp.com/CatalogPDFs/TBPrinting.pdf>

- Marking strips (Sub mounted or Top mounted)

<http://marathonsp.com/CatalogPDFs/TopMountedMS.pdf>

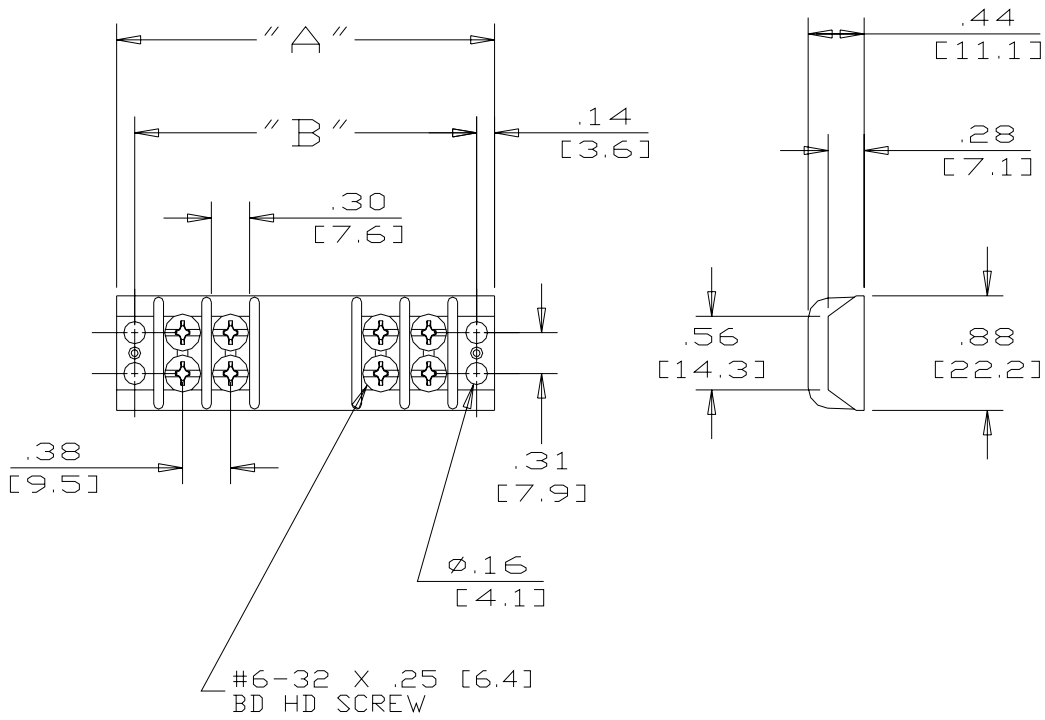
<http://marathonsp.com/CatalogPDFs/SubMounted.pdf>



- Cover – top mounted. Order CW (white) or CB (Black). Can be printed.

<http://marathonsp.com/CatalogPDFs/TopMountedCover.pdf>





Catalog No	# of Poles	Dimensions		X	Catalog No	# of Poles	Dimensions	
		A	B				A	B
101	1	1.03	0.75	X	119	19	7.78	7.50
102	2	1.41	1.13	X	120	20	8.16	7.88
103	3	1.78	1.50	X	121	21	8.53	8.25
104	4	2.16	1.88	X	122	22	8.91	8.63
105	5	2.53	2.25	X	123	23	9.29	9.01
106	6	2.91	2.63	X	124	24	9.66	9.38
107	7	3.28	3.00	X	125	25	10.04	9.76
108	8	3.66	3.38	X	126	26	10.41	10.13
109	9	4.03	3.75	X	127	27	10.79	10.51
110	10	4.41	4.13	X	128	28	11.17	10.89
111	11	4.78	4.50	X	129	29	11.54	11.26
112	12	5.16	4.88	X	130	30	11.92	11.64
113	13	5.53	5.25	X	131	31	12.29	12.01
114	14	5.91	5.63	X	132	32	12.67	12.39
115	15	6.28	6.00	X	133	33	13.05	12.77
116	16	6.66	6.38	X	134	34	13.42	13.14
117	17	7.03	6.75	X	135	35	13.80	13.52
118	18	7.41	7.13	X	136	36	14.17	13.89

Top Mounted Hardware is .187" Wide

MM = Dim X 25.4

WWW.MARATHONSP.COM
1-419-352-8441