

Product Data Sheet



133X270 CH

Replace "X" with 1, 2 or 3 for number of poles

Power Splicer/Stud Block 510 Amps, 600 Volts (AC/DC)

See tables below for [Flexible stranded and multiple wire approvals](#).

Wire Range:

Line side: 3/8 – 16 X 1 3/16

Load Side: (4) #2/0 – 14 AWG

Electrical Ratings:

- 510A Copper wire, 510A Aluminum wire (Based on NEC Table 310-16, 75°C columns)
- 600 Volts AC/DC (UL 1059 Class C, User Group - General Industrial)
- Factory and Field Wiring

Mechanical Ratings:

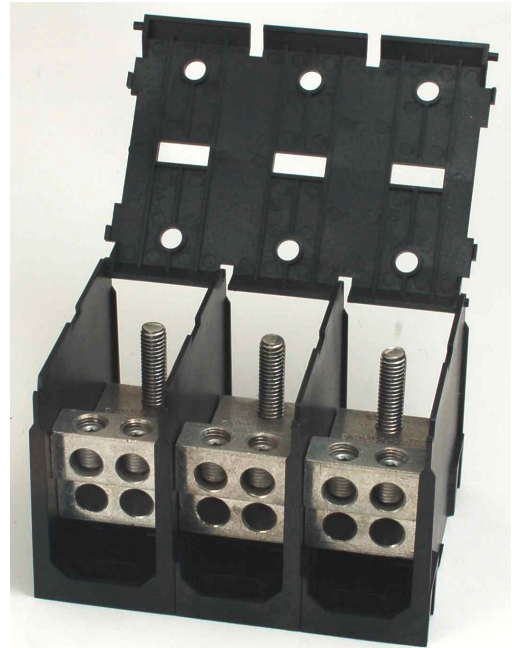
- Maximum insulator base and cover temperature: 125 °C (257 °F) UL RTI
- Storage and transportation temperature range: -35 °C to 110 °C (-31 °F to 230 °F)
- Flammability rating of insulator base and cover: UL 94 V-0
- * Use outside these ratings needs to be judged in the end-use application.

Materials:

- Connector: High conductivity aluminum, tin plated
- Insulator base: glass filled polycarbonate (thermoplastic)
- Terminal set screws: Aluminum, tin plated
- Studs: Brass, tin plated
- Nuts: Brass, nickel plated
- Connector mounting screws: Steel, zinc plated
- Hinged Cover: glass filled polycarbonate (thermoplastic)

Agency Approvals:

- UL Recognized, UL 1059 Terminal Block Standard, File No. XCFR2.E62806
- CSA Certified, CSA C22.2 No. 158, File No. LR19766 (Wire Classes B & C only)
- CE compliant to IEC 60947-7-1
- RoHS Compliant

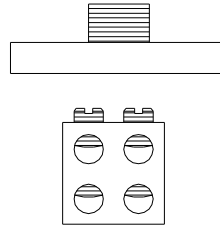


Wire Approvals:

Line Side Torque Approvals:

3/8 – 16 Stud: 192 in. lbs

Load Side Wire Approvals:



		Copper Wire Stranding Classes - Number of Strands						
Wire Size	Torque	Solid	Class B	Class C	Class G	Class H	Class I	Class K
2/0 AWG	120 in. lbs		19	37				
1/0	120 in. lbs		19	37				
1	120 in. lbs		19	37	~ 133	~ 259	~ 210	~ 836
2	120 in. lbs		7	19	~ 49	~ 133	~ 161	~ 665
4	120 in. lbs		7	19	~ 49	~ 133	~ 105	~ 420
6	120 in. lbs		(1 - 2)* 7	(1 - 2)* 19	~ 49	~ 133	~ 63	~ 266
8	40 in. lbs		(1 - 2)* 7	(1 - 2)* 19	(1 - 2)* ~ 49	(1 - 2)* ~ 133	(1 - 2)* ~ 41	(1 - 2)* ~ 168
10	35 in. lbs	1	(1 - 2)* 7	(1 - 2)* 19			(1 - 2)* ~ 27	(1 - 2)* ~ 104
12	35 in. lbs	1	(1 - 2)* 7	(1 - 2)* 19			(1 - 2)* ~ 19	(1 - 2)* ~ 65
14	35 in. lbs	1	(1 - 2)* 7	(1 - 2)* 19			(1 - 2)* ~ 19	(1 - 2)* ~ 41

~Quantity of strands for Classes G, H, I, K may vary by manufacturer.

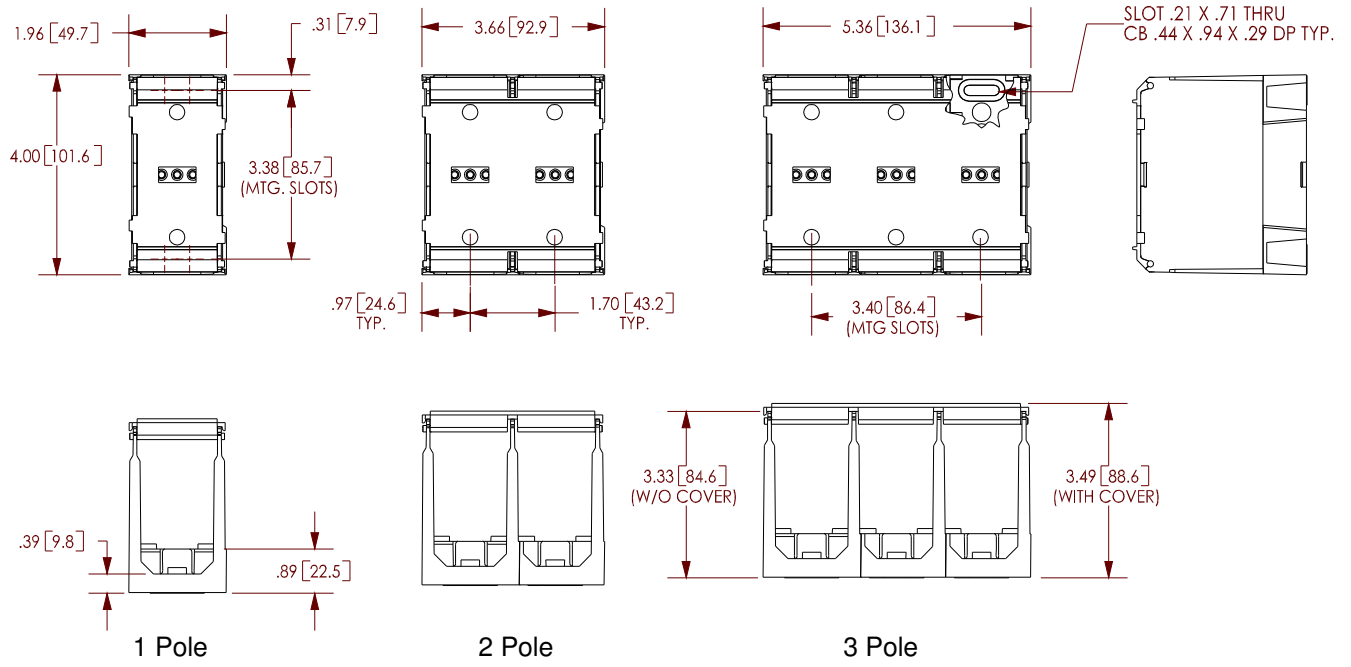
* Multiple conductor approvals (copper wire only)

Aluminum Wire Range: #2/0 – #8 AWG

- Wire strip length, load side taps: top – 11/16”, bottom – 1 1/8”
- Hex key required : 3/16”
- Panel mountable: #10 fastener, torque to 25-30 in. lbs.

Accessories:

- Marker Strips. Printing available. Consult factory.



WWW.MARATHONSP.COM
1-419-352-8441

PDS 0125 REV A 9/14/07