

# Product Data Sheet



## 133X281

Replace "X" with 1, 2 or 3 for number of poles

### Power Splicer/Stud Block 510 Amps, 600 Volts (AC/DC)

See tables below for [Flexible stranded and multiple wire approvals](#).

#### Wire Range:

Line side: M10 X 30

Load Side: (8) #2– #14 AWG



#### Electrical Ratings:

- 510A Copper wire, 510A Aluminum wire (Based on NEC Table 310-16, 75°C columns)
- 600 Volts AC/DC (UL 1059 Class C, User Group - General Industrial)
- Factory and Field Wiring

#### Mechanical Ratings:

- Maximum insulator base temperature: 125°C (257°F) UL RTI
- Storage and transportation temperature range: -35°C to 110°C (-31°F to 230°F)
- Flammability rating of insulator base: UL 94 V-0
- \* Use outside these ratings needs to be judged in the end-use application.

#### Materials:

- Connector: High conductivity aluminum, tin plated
- Insulator base: glass filled polycarbonate (thermoplastic)
- Terminal set screws: Aluminum, tin plated
- Studs: Brass, tin plated
- Nuts: Brass, nickel plated
- Connector mounting screws: Steel, zinc plated

#### Agency Approvals:

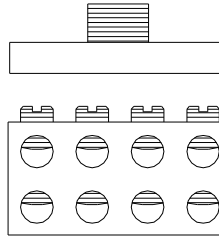
- UL Recognized, UL 1059 Terminal Block Standard, File No. XCFR2.E62806
- CSA Certified, CSA C22.2 No. 158, File No. LR19766 (Wire Classes B & C only)
- CE compliant to IEC 60947-7-1
- RoHS Compliant

## Wire Approvals:

### Line Side Torque Approvals:

M10 X 30 Stud: 192 in. lbs (21.7 N·m)

### Load Side Wire Approvals:



|           |            | Copper Wire Stranding Classes - Number of Strands |          |           |         |         |             |              |
|-----------|------------|---|----------|-----------|---------|---------|-------------|--------------|
| Wire Size | Torque     | Solid   | Class B  | Class C   | Class G | Class H | Class I     | Class K      |
| 2 AWG     | 50 in. lbs |   | 7        | 19        |         |         |             |              |
| 4         | 45 in. lbs |   | 7        | 19        | ~ 49    | ~ 133   | ~ 105       | ~ 420        |
| 6         | 45 in. lbs |   | 7        | 19        | ~ 49    | ~ 133   | ~ 63        | ~ 266        |
| 8         | 40 in. lbs |   | (1-2)* 7 | (1-2)* 19 | ~ 49    | ~ 133   | (1-2)* ~ 41 | (1-2)* ~ 168 |
| 10        | 35 in. lbs | 1   | (1-2)* 7 | (1-2)* 19 |         |         | (1-2)* ~ 27 | (1-2)* ~ 104 |
| 12        | 35 in. lbs | 1   | (1-4)* 7 | (1-4)* 19 |         |         | (1-2)* ~ 19 | (1-2)* ~ 65  |
| 14        | 35 in. lbs | 1   | (1-4)* 7 | (1-4)* 19 |         |         | (1-2)* ~ 19 | (1-2)* ~ 41  |

~Quantity of strands for Classes G, H, I, K may vary by manufacturer.

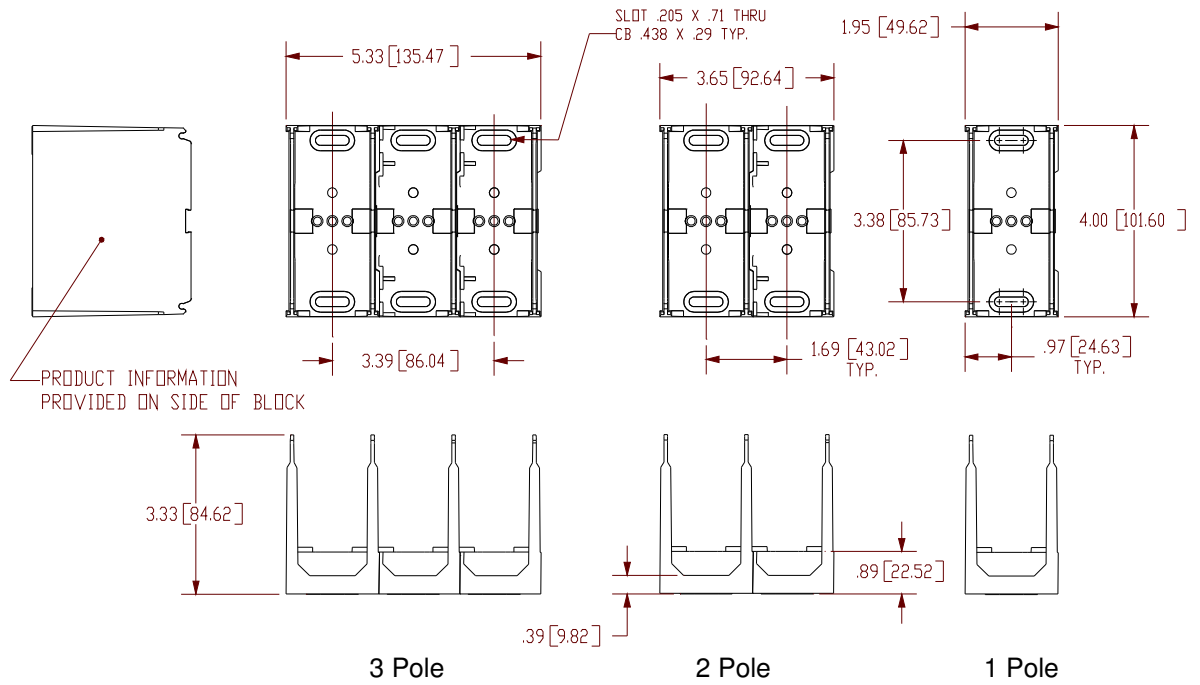
\* Multiple conductor approvals (copper wire only)

Aluminum Wire Range: #2 – #12 AWG

- Wire strip length, load side taps: top – 11/16”, bottom – 1 1/8”
- Hex key required : 5/32”
- Panel mountable: #10 fastener, torque to 25-30 in. lbs.

### Accessories:

- Snap-on hinged covers: CH 133X (Replace “X” with 1, 2 or 3 for number of poles) UL recognized, glass filled polycarbonate (thermoplastic).125 °C (UL RTI), UL 94 V-0.
- Marker Strips. Printing available. Consult factory.



[WWW.MARATHONSP.COM](http://WWW.MARATHONSP.COM)  
 1-419-352-8441

PDS 0138 REV A 9/26/07