

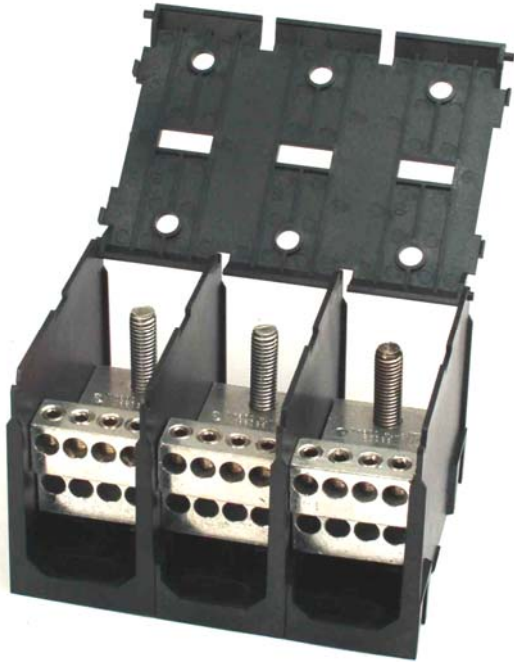
Product Data Sheet



133X281 CH

Replace "X" with 1, 2 or 3 for number of poles

Power Splicer/Stud Block
510 Amps, 600 Volts (AC/DC)
1,000V AC/DC CE (IEC 60947-7-1)



See tables below for Flexible stranded and multiple wire approvals.

Wire Range:

Line side: M10 X 30

Load Side: (8) #2– #14 AWG

Electrical Ratings:

- 510A Copper wire, 510 Al wire
- CE Rated Voltage (U_i): 1,000 V AC/DC per IEC 60947-7-1
- Material Group: IIIa
- Pollution Degree: 3
- 600 Volts AC/DC (UL 1059 Class C, User Group - General Industrial)
- Factory and Field Wiring

Mechanical Ratings:

- Maximum insulator base and cover temperature: 125°C (257°F) UL RTI
- Flammability rating of insulator base and cover: UL 94 V-0
- * Use outside these ratings needs to be judged in the end-use application.

Materials:

- Connector: High conductivity aluminum, tin plated
- Insulator base: Glass filled polycarbonate (thermoplastic)
- Terminal set screws: Aluminum, tin plated
- Studs: Steel, Nickel plated
- Nuts: Brass, nickel plated
- Connector mounting screws: Steel, zinc plated
- Hinged Cover: glass filled polycarbonate (thermoplastic)

Agency Approvals:

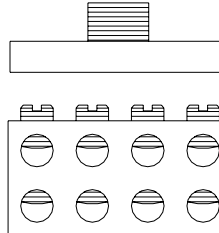
- UL Recognized, UL 1059 Terminal Block Standard, File No. XCFR2.E62806
- CSA Certified, CSA C22.2 No. 158, File No. LR19766 (Wire Classes B & C only)
- CE compliant to IEC 60947-7-1
- RoHS Compliant

Wire Approvals:

Line Side Torque Approvals:

M10 X 30 Stud: 192 in. lbs (21.7 N·m)

Load Side Wire Approvals:



		Copper Wire Stranding Classes - Number of Strands						
Wire Size	Torque	Solid	Class B	Class C	Class G	Class H	Class I	Class K
2 AWG	50 in. lbs		7	19				
4	45 in. lbs		7	19	~ 49	~ 133	~ 105	~ 420
6	45 in. lbs		7	19	~ 49	~ 133	~ 63	~ 266
8	40 in. lbs		(1-2)* 7	(1-2)* 19	~ 49	~ 133	(1-2)* ~ 41	(1-2)* ~ 168
10	35 in. lbs	1	(1-2)* 7	(1-2)* 19			(1-2)* ~ 27	(1-2)* ~ 104
12	35 in. lbs	1	(1-4)* 7	(1-4)* 19			(1-2)* ~ 19	(1-2)* ~ 65
14	35 in. lbs	1	(1-4)* 7	(1-4)* 19			(1-2)* ~ 19	(1-2)* ~ 41

~Quantity of strands for Classes G, H, I, K may vary by manufacturer.

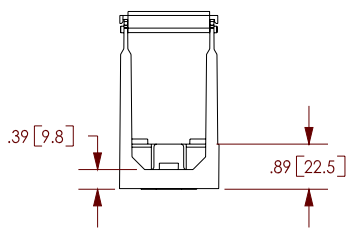
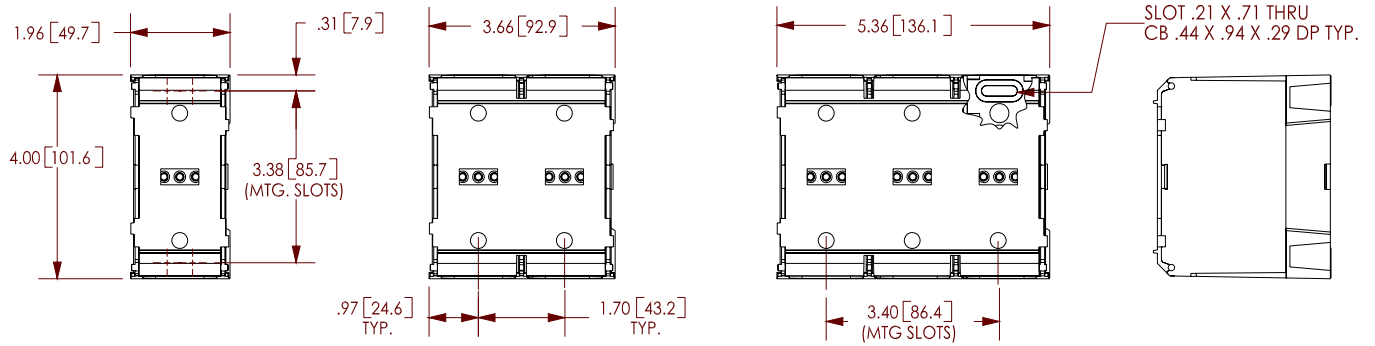
* Multiple conductor approvals (copper wire only)

Aluminum Wire Range: #2 – #12 AWG

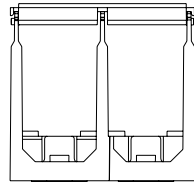
- Wire strip length, load side taps: top – 11/16”, bottom – 1 1/8”
- Hex key required : 5/32”
- Panel mountable: #10 fastener, torque to 25-30 in. lbs.

Accessories:

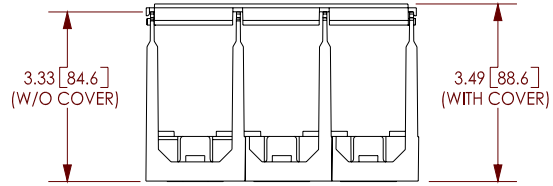
- Marker Strips. Printing available. Consult factory.



1 Pole



2 Pole



3 Pole

WWW.MARATHONSP.COM
1-419-352-8441