

# Product Data Sheet



## 133X552 CH

Replace "X" with 1, 2 or 3 for number of poles

### Power Distribution Block 335 Amps, 600 Volts (AC/DC)

See tables below for SCCR wire ranges, flexible stranded and multiple wire approvals.



#### Wire Range:

Line side: (1) 400kcmil - #6 AWG

Load Side: (4) #2 - #14 AWG

#### Electrical Ratings:

- 335A Copper wire, 270A Aluminum wire (Based on NEC Table 310-16, 75°C columns)
- 600 Volts AC/DC (UL 1059 Class C, User Group - General Industrial)
- Factory and Field Wiring

#### Short Circuit Current Ratings (Copper wire only):

Suitable Conductors (kcmil/AWG)		Overcurrent Protection Fuse Required Class/Max Amp Rating						SCCR, RMS SYM Amps	Volts Max
Line	Load	J	T	RK1	RK5	G	CC		
400 - 3/0	2 - 8	400	400	400	100	60	30	100,000	600
2/0 - 6	2 - 14	200	200	200	100	60	30	100,000	600

#### Mechanical Ratings:

- Maximum insulator base and cover temperature: 125°C (257°F) UL RTI
- Storage and transportation temperature range: -35°C to 110°C (-31°F to 230°F)
- Flammability rating of insulator base and cover: UL 94 V-0

\* Use outside these ratings needs to be judged in the end-use application.

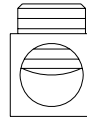
#### Materials:

- Connector: Copper, tin plated
- Insulator base: glass filled polycarbonate (thermoplastic)
- Terminal set screws: Steel, nickel plated, and Aluminum, tin plated
- Connector mounting screws: Steel, zinc plated
- Hinged Cover: glass filled polycarbonate (thermoplastic)

**Agency Approvals:**

- UL Recognized, UL 1059 Terminal Block Standard, File No. XCFR2.E62806
- CSA Certified, CSA C22.2 No. 158, File No. LR19766 (Wire Classes B & C only)
- CE compliant to IEC 60947-7-1
- RoHS Compliant

**Wire Approvals:**

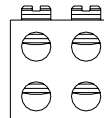


**Line Side Wire Approvals:**

		Copper Wire Stranding Classes - Number of Strands						
Wire Size	Torque	Solid	Class B	Class C	Class G	Class H	Class I	Class K
400 kcmil	375 in. lbs		37	61				
350	375 in. lbs		37	61				
300	375 in. lbs		37	61	~ 259	~ 427	~ 735	
250	375 in. lbs		37	61	~ 259	~ 427	~ 637	~ 2499
4/0	375 in. lbs		19	37	~ 133	~ 259	~ 532	~ 2107
3/0	375 in. lbs		19	37	~ 133	~ 259	~ 418	~ 1666
2/0	375 in. lbs		19	37	~ 133	~ 259	~ 342	~ 1323
1/0	375 in. lbs		19	37	~ 133	~ 259	~ 266	~ 1064
1	375 in. lbs		19	37	~ 133	~ 259	~ 210	~ 836
2	375 in. lbs		7	19	~ 49	~ 133	~ 161	~ 665
4	375 in. lbs		7	19				
6	375 in. lbs		7	19				

~Quantity of strands for Classes G, H, I, K may vary by manufacturer.

Aluminum Stranded Wire Range: 400kcmil – #6



**Load Side Wire Approvals:**

		Copper Wire Stranding Classes - Number of Strands						
Wire Size	Torque	Solid	Class B	Class C	Class G	Class H	Class I	Class K
2 AWG	50 in. lbs		7	19				
4	45 in. lbs		7	19	~ 49	~ 133	~ 105	~ 420
6	45 in. lbs		7	19	~ 49	~ 133	~ 63	~ 266
8	40 in. lbs		(1-2)* 7	(1-2)* 19	~ 49	~ 133	(1-2)* ~ 41	(1-2)* ~ 168
10	35 in. lbs	1	(1-2)* 7	(1-2)* 19			(1-2)* ~ 27	(1-2)* ~ 104
12	35 in. lbs	1	(1-2)* 7	(1-2)* 19			(1-2)* ~ 19	(1-2)* ~ 65
14	35 in. lbs	1	(1-2)* 7	(1-2)* 19			(1-2)* ~ 19	(1-2)* ~ 41

~Quantity of strands for Classes G, H, I, K may vary by manufacturer.

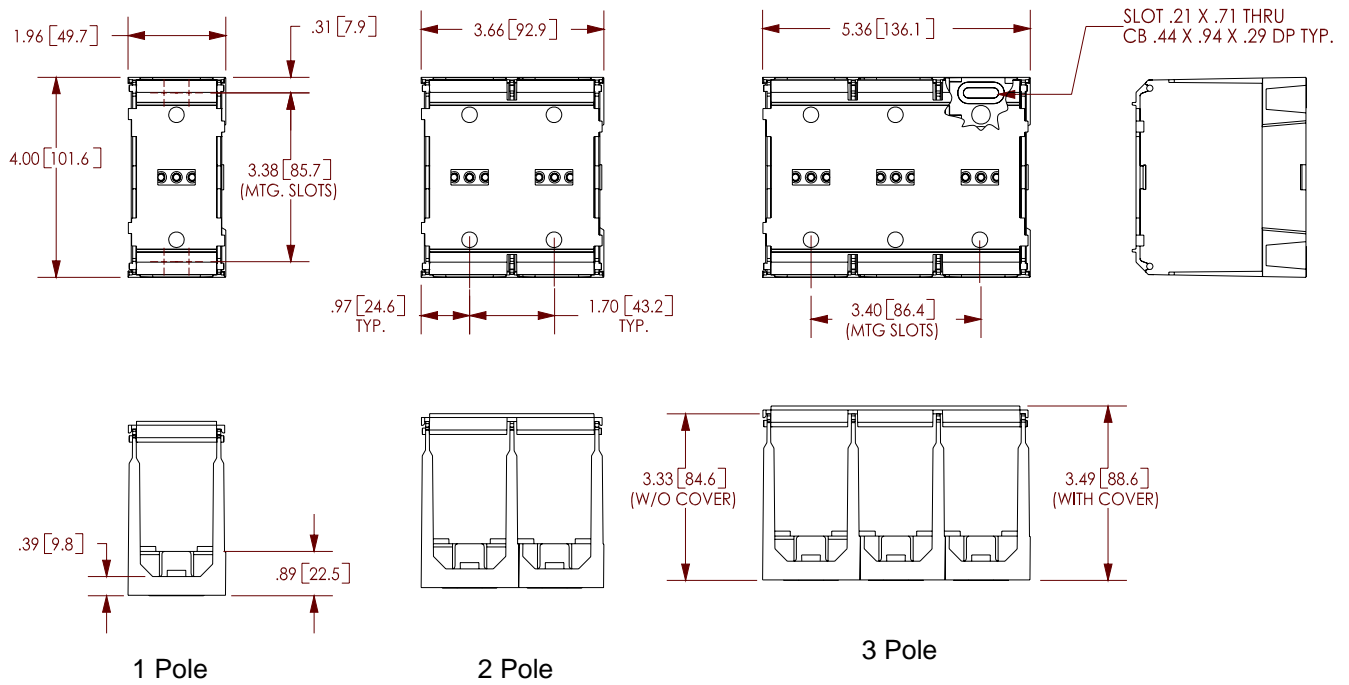
\*Multiple conductor approvals for **LOAD** side only. (copper wire only)

Aluminum Stranded Wire Range: #2– #8

- Wire strip length, line side tap – 1 1/16”
- Wire strip length, load side, top row tap – 9/16”, bottom row tap – 1 1/16 “
- Hex keys required : line side – 5/16”, load side – 5/32”
- Panel mountable: #10 fastener, torque to 25-30 in. lbs.

**Accessories:**

- Marker Strips. Printing available. Consult factory.



[WWW.MARATHONSP.COM](http://WWW.MARATHONSP.COM)  
1-419-352-8441