

Product Data Sheet



133X565

Replace "X" with 1, 2 or 3 for number of poles

Distribution Power Block 420 Amps, 600 Volts (AC/DC)



Wire Range:

Line side: (1) 600kcmil - #2 AWG

Load Side: (2) 250kcmil - #6 AWG

Electrical Ratings:

- 420A copper wire, 340A aluminum wire (Based on NEC Table 310-16, 75°C columns)
- 600 Volts AC/DC (UL 1059 Class C, User Group - General Industrial)
- Factory and Field Wiring

Mechanical Ratings:

- Maximum insulator base temperature: 125°C (257°F) UL RTI
 - Storage and transportation temperature range: -35°C to 110°C (-31°F to 230°F)
 - Flammability rating of insulator base: UL 94 V-0
- * Use outside these ratings needs to be judged in the end-use application.

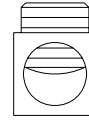
Materials:

- Connector: High conductivity aluminum, tin plated
- Insulator base: glass filled polycarbonate (thermoplastic)
- Terminal set screws: Aluminum, tin plated
- Connector mounting screw: Steel, zinc plated

Agency Approvals:

- UL Recognized, UL 1059 Terminal Block Standard, File No. XCFR2.E62806
- CSA Certified, CSA C22.2 No. 158, File No. LR19766
- CE compliant to IEC 60947-7-1
- RoHS Compliant

Wire Approvals:

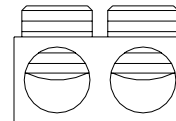


Line Side Wire Approvals:

		Copper Wire Stranding Classes - Number of Strands						
Wire Size	Torque	Solid	Class B	Class C	Class G	Class H	Class I	Class K
600 kcmil	375 in. lbs		37	61				
500	375 in. lbs		37	61				
400	375 in. lbs		37	61	~ 259	~ 427	~ 980	~ 3990
350	375 in. lbs		37	61	~ 259	~ 427	~ 882	~ 3458
300	375 in. lbs		37	61	~ 259	~ 427	~ 735	~ 2989
250	375 in. lbs		37	61	~ 259	~ 427	~ 637	~ 2499
4/0	375 in. lbs		19	37	~ 133	~ 259	~ 532	~ 2107
3/0	375 in. lbs		19	37	~ 133	~ 259	~ 418	~ 1666
2/0	375 in. lbs		19	37	~ 133	~ 259	~ 342	~ 1323
1/0	375 in. lbs		19	37	~ 133	~ 259	~ 266	~ 1064
1	375 in. lbs		19	37	~ 133	~ 259	~ 210	~ 836
2	375 in. lbs		7	19	~ 49	~ 133	~ 161	~ 665

~Quantity of strands for Classes G, H, I, K may vary by manufacturer.

Aluminum stranded wire range: 600kcmil – #2 AWG



Load Side Wire Approvals:

		Copper Wire Stranding Classes - Number of Strands						
Wire Size	Torque	Solid	Class B	Class C	Class G	Class H	Class I	Class K
250 kcmil	275 in. lbs		37	61				
4/0	275 in. lbs		19	37	~ 133	~ 259		
3/0	275 in. lbs		19	37	~ 133	~ 259	~ 418	~ 1666
2/0	275 in. lbs		19	37	~ 133	~ 259	~ 342	~ 1323
1/0	275 in. lbs		19	37	~ 133	~ 259	~ 266	~ 1064
1	275 in. lbs		19	37	~ 133	~ 259	~ 210	~ 836
2	275 in. lbs		7	19	~ 49	~ 133	~ 161	~ 665
4	275 in. lbs		7	19				
6	275 in. lbs		7	19				

~ Quantity of strands for Classes G, H, I, K may vary by manufacturer.

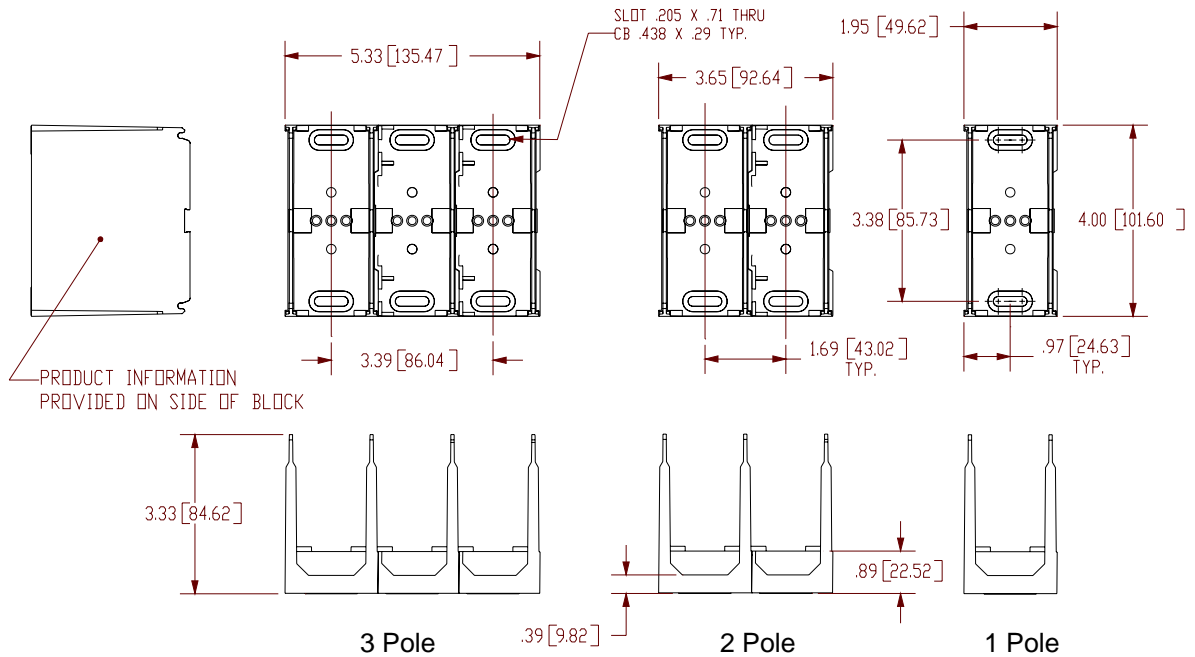
* Multiple conductor approvals for **LOAD** side only. (copper wire only)

Aluminum stranded wire ranges: 250 kcmil – #6 AWG

- Wire strip length, line side tap – 1 5/8"
- Wire strip length, load side taps– 1 7/16"
- Hex keys required : line side – 1/2", load side – 5/16"
- Panel mountable: #10 fastener, torque to 25-30 in. lbs.

Accessories:

- Snap-on hinged covers: CH 133X (Replace "X" with 1, 2 or 3 for number of poles) UL recognized, glass filled polycarbonate (thermoplastic).125 °C (UL RTI), UL 94 V-0.
- Marker Strips. Printing available. Consult factory.



WWW.MARATHONSP.COM
1-419-352-8441

PDS 0108 REV C 4/23/09