

Product Data Sheet



133X575

Replace "X" with 1, 2 or 3 for number of poles

Distribution Power Block 420 Amps, 600 Volts (AC/DC)



Wire Range:

Line side: (1) 600kcmil - #2 AWG

Load Side: (4) 2/0 - #14 AWG

Electrical Ratings:

- 420A copper wire, 340A aluminum wire (Based on NEC Table 310-16, 75°C columns)
- 600 Volts AC/DC (UL 1059 Class C, User Group - General Industrial)
- Factory and Field Wiring

Mechanical Ratings:

- Maximum insulator base temperature: 125°C (257°F) UL RTI
- Storage and transportation temperature range: -35°C to 110°C (-31°F to 230°F)
- Flammability rating of insulator base: UL 94 V-0
- * Use outside these ratings needs to be judged in the end-use application.

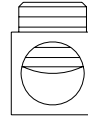
Materials:

- Connector: High conductivity aluminum, tin plated
- Insulator base: glass filled polycarbonate (thermoplastic)
- Terminal set screws: Aluminum, tin plated
- Connector mounting screws: Steel, zinc plated

Agency Approvals:

- UL Recognized, UL 1059 Terminal Block Standard, File No. XCFR2.E62806
- CSA Certified, CSA C22.2 No. 158, File No. LR19766 (Wire Classes B & C only)
- CE compliant to IEC 60947-7-1
- RoHS Compliant

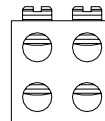
Wire Approvals:
Line Side Wire Approvals:



		Copper Wire Stranding Classes - Number of Strands						
Wire Size	Torque	Solid	Class B	Class C	Class G	Class H	Class I	Class K
600 kcmil	375 in. lbs		37	61				
500	375 in. lbs		37	61				
400	375 in. lbs		37	61	~ 259	~ 427	~ 980	~ 3990
350	375 in. lbs		37	61	~ 259	~ 427	~ 882	~ 3458
300	375 in. lbs		37	61	~ 259	~ 427	~ 735	~ 2989
250	375 in. lbs		37	61	~ 259	~ 427	~ 637	~ 2499
4/0	375 in. lbs		19	37	~ 133	~ 259	~ 532	~ 2107
3/0	375 in. lbs		19	37	~ 133	~ 259	~ 418	~ 1666
2/0	375 in. lbs		19	37	~ 133	~ 259	~ 342	~ 1323
1/0	375 in. lbs		19	37	~ 133	~ 259	~ 266	~ 1064
1	375 in. lbs		19	37	~ 133	~ 259	~ 210	~ 836
2	375 in. lbs		7	19	~ 49	~ 133	~ 161	~ 665

~Quantity of strands for Classes G, H, I, K may vary by manufacturer.

Aluminum stranded wire range: 600kcmil – #2 AWG



Load Side Wire Approvals:

		Copper Wire Stranding Classes - Number of Strands						
Wire Size	Torque	Solid	Class B	Class C	Class G	Class H	Class I	Class K
2/0 AWG	120 in. lbs		19	37				
1/0	120 in. lbs		19	37				
1	120 in. lbs		19	37	~ 133	~ 259	~ 210	~ 836
2	120 in. lbs		7	19	~ 49	~ 133	~ 161	~ 665
4	120 in. lbs		7	19	~ 49	~ 133	~ 105	~ 420
6	120 in. lbs		7	19	~ 49	~ 133	~ 63	~ 266
8	40 in. lbs		7	19	~ 49	~ 133	~ 41	~ 168
10	35 in. lbs	1	7	19			~ 27	~ 104
12	35 in. lbs	1	7	19			~ 19	~ 65
14	35 in. lbs	1	7	19			~ 19	~ 41

~ Quantity of strands for Classes G, H, I, K may vary by manufacturer.

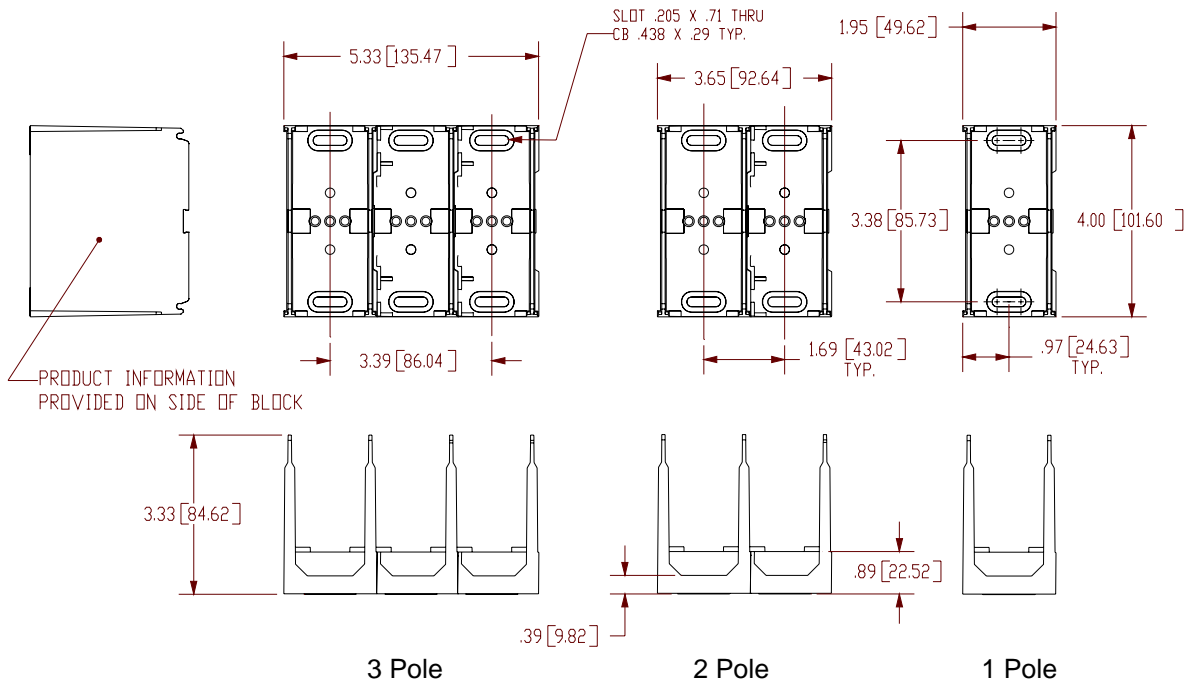
* Multiple conductor approvals for **LOAD** side only. (copper wire only)

Aluminum stranded wire ranges: 2/0 – #14 AWG

- Wire strip length, line side tap – 1 9/16”
- Wire strip length, load side tap, top row – 5/8”, bottom row – 1 1/4”
- Hex keys required : line side - 1/2”, load side - 5/16”
- Panel mountable: #10 fastener, torque to 25-30 in. lbs.

Accessories:

- Snap-on hinged covers: CH 133X (Replace "X" with 1, 2 or 3 for number of poles) UL recognized, glass filled polycarbonate (thermoplastic).125 °C (UL RTI), UL 94 V-0.
- Marker Strips. Printing available. Consult factory.



WWW.MARATHONSP.COM
1-419-352-8441