

# Product Data Sheet



## 133X595 CH

Replace "X" with 1, 2 or 3 for number of poles

**Distribution Power Block**  
 420 Amps, 600 Volts (AC/DC)  
 1,000V AC/DC CE (IEC 60947-7-1)



### Wire Range:

Line side: (1) 600kcmil - #2 AWG  
 Load Side: (12) #4 - #14 AWG

See tables below for SCCR wire ranges, flexible stranded and multiple wire approvals.

### Electrical Ratings:

- 420A copper wire, 340A aluminum wire (Based on NEC Table 310-16, 75°C columns)
- CE Rated Voltage (U<sub>i</sub>): 1,000 V AC/DC per IEC 60947-7-1
- Material Group: IIIa
- Pollution Degree: 3
- 600 Volts AC/DC (UL 1059 Class C, User Group - General Industrial)
- Factory and Field Wiring

### Short Circuit Current Ratings (Copper wire only):

Wire Class	Suitable Conductors (kcmil/AWG)		Overcurrent Protection Fuse Required Class/Max Amp Rating						SCCR, RMS SYM Amps	Volts Max
	Line	Load	J	T	RK1	RK5	G	CC		
B, C	600 - 3/0	4 - 8	600	600	400	200	60	30	100,000	600
B, C	2/0 - 2	4 - 12	200	200	200	100	60	30	100,000	600
G, H, I, K	350 - 2	6 - 14	150	150	100	30	60	30	100,000	600

• Short Circuit Current Rating investigated in 16 x 12 x 6 enclosure. Use in smaller enclosure is subject to end-use evaluation.

### Mechanical Ratings:

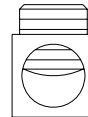
- Insulator base temperature rating: -40°C/F - 125°C (257°F)\* UL RTI
  - Flammability rating of insulator base and cover: UL 94 V-0
- \* Use outside these ratings needs to be judged in the end-use application.

**Materials:**

- Connector: High conductivity aluminum, tin plated
- Insulator base: Glass filled polycarbonate (thermoplastic)
- Terminal set screws: Steel, nickel plated and Aluminum, tin plated
- Connector mounting screw: Steel, zinc plated
- Hinged cover: Glass filled polycarbonate (thermoplastic)

**Agency Approvals:**

- UL Recognized, UL 1059 Terminal Block Standard, File No. XCFR2.E62806
- CSA Certified, CSA C22.2 No. 158, File No. LR19766 (Wire Classes B & C only)
- CE compliant to IEC 60947-7-1
- RoHS Compliant

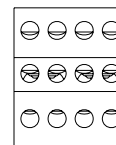


**Wire Approvals:**

**Line Side Wire Approvals:**

Wire Size	Torque		Copper Wire Stranding Classes - Number of Conductors						
	N-m	In. lbs	Solid	Class B	Class C	Class G	Class H	Class I	Class K
600 kcmil	42.4	375		1	1				
500	42.4	375		1	1				
400	42.4	375		1	1	1	1	1	1
350	42.4	375		1	1	1	1	1	1
300	42.4	375		1	1	1	1	1	1
250	42.4	375		1	1	1	1	1	1
4/0	42.4	375		1	1	1	1	1	1
3/0	42.4	375		1	1	1	1	1	1
2/0	42.4	375		1	1	1	1	1	1
1/0	42.4	375		1	1	1	1	1	1
1	42.4	375		1	1	1	1	1	1
2	42.4	375		1	1	1	1	1	1

Aluminum stranded wire range: 600kcmil – #2 AWG



**Load Side Wire Approvals:**

Wire Size	Torque		Copper Wire Stranding Classes - Number of Conductors						
	N-m	In. lbs	Solid	Class B	Class C	Class G	Class H	Class I	Class K
4 AWG	4.0	35		1	1				
6	4.0	35		1	1	1	1	1	1
8	4.0	35		1	1	1	1	1	1
10	4.0	35	1	1 - 2	1 - 2			1 - 2	1 - 2
12	4.0	35	1	1 - 4	1 - 4			1 - 2	1 - 2
14	4.0	35	1	1 - 4	1 - 4			1 - 2	1 - 2

\* Multiple conductor approvals for **LOAD** side only. (copper wire only)

For information on copper stranded wire classes, please reference:  
<http://www.marathonsp.com/CatalogPDFs/Flexible-Stranded-Wire.pdf>

Aluminum stranded wire ranges: #4 – #14 AWG

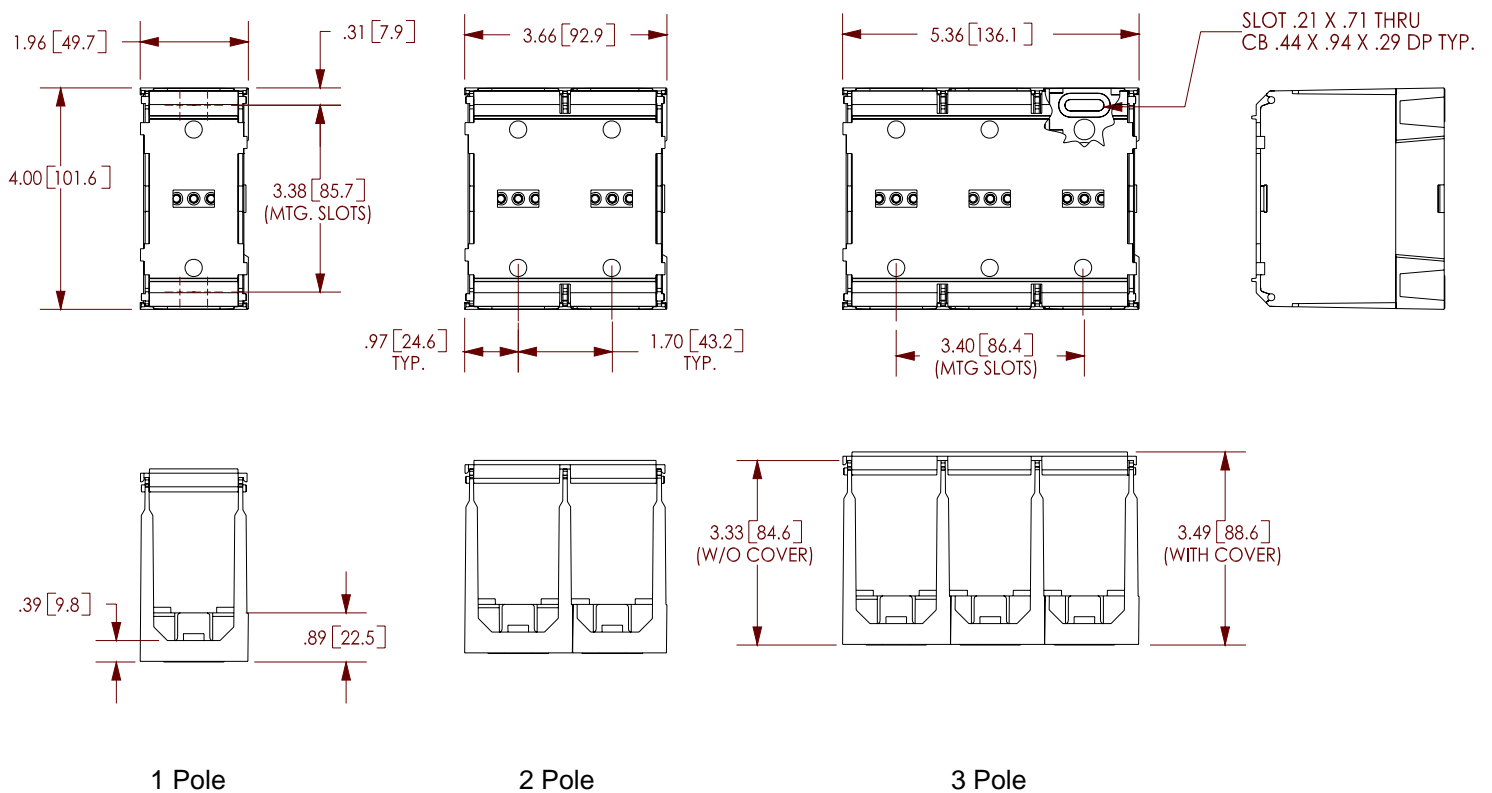
- Wire strip length, line side tap – 1 9/16”
- Wire strip length, load side tap, top row – 1/2”, middle row – 11/16”, bottom row - 15/16”
- Hex keys required: line side - 1/2”, load side - 1/8”

**Mounting:**

- Panel mountable: #10 fastener, torque to 25-30 in. lbs.

**Accessories:**

- Marker Strips. Printing available. Consult factory.



[WWW.MARATHONSP.COM](http://WWW.MARATHONSP.COM)  
1-419-352-8441