

# Product Data Sheet



## 2XX Series SP

Replace "XX" with 01 through 30 for number of poles

Terminal Block— Closed Back  
With Sems Pressure Saddle Screw  
20 Amps, 250 Volts (AC/DC)



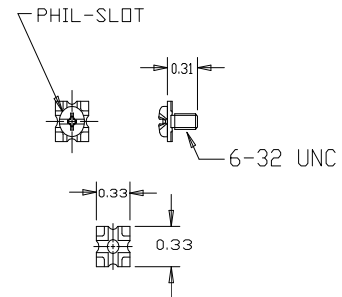
(6 Pole shown)

### Copper Stranded Wire only.

Wire Range with Wire Binding Screw: #12 - #22 AWG

7/16" Centers

Application torque: 12 in. lbs



### Electrical Ratings:

- 20A with Listed ring lug or unprepared wire, (Based on NEC Table 310-16, 75°C columns)
- 250 Volts AC/DC (UL 1059 Class B, User Group – Commercial Appliances)
- Short Circuit Current Rating: 10,000A (Default)
- Approved for Factory and Field Wiring.

### Mechanical Ratings:

- Storage and transportation temperature range: -35 °C to 110 °C (-31 °F to 230 °F)\*
  - Maximum insulator base temperature: 150 °C (302 °F)\* UL RTI
  - Flammability rating of insulator base: UL 94V-1
- \* Use outside these ratings needs to be judged in the end-use application.

### Materials:

- Connector (Contact): Brass, tin plated.
- Insulator base: Phenolic
- Drive screw (Rivet): Stainless steel
- Screw, #6-32 Saddle Plate, Phil-Slot: Steel, nickel plated

**Agency Approvals:**

- UL Recognized, UL 1059 Terminal Block Standard, File No. XCFR2.E62806
- CSA Certified, CSA C22.2 No. 158, File No. LR19766
- CE compliant, IEC 60947-7-1
- RoHS Compliant

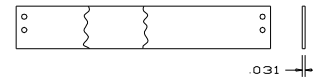
**Wire Range:**

Copper Wire Stranding Classes - Number of Strands				
Wire Size	Torque	Solid	Class B	Class C
12	12 in. Lbs		7	19
14	12 in. Lbs		7	19
16	12 in. Lbs		7	19
18	12 in. Lbs		7	19
20	12 in. Lbs		7	19
22	12 in. Lbs		7	19

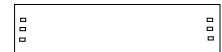
Suggested product mounting hardware: #6 fastener, torque to 10-15 in. lbs.

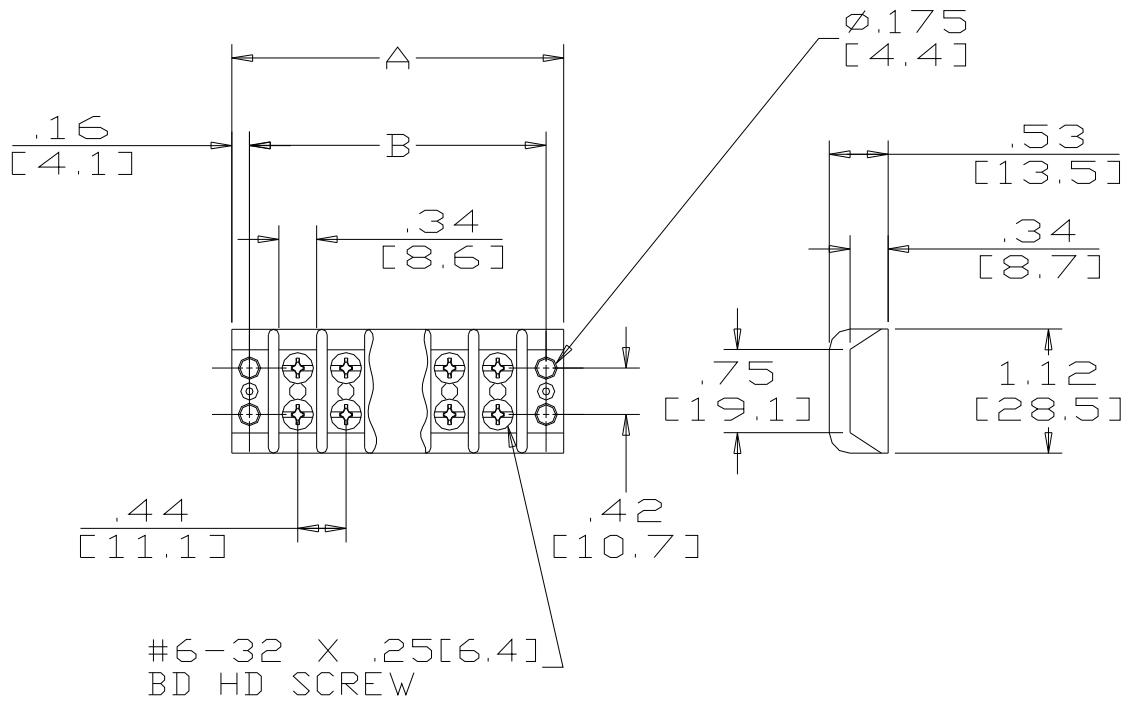
**ACCESSORIES:**

- Printing (for printing options, see Terminal Block Printing on website)
- Marking strips - sub mounted, black only (FB) (For Printing Options, see section on website)
- Marking strips – top mounted, white only (SW)



- Cover – top mounted. Order CW (white) or CB (Black). Can be printed. See website.





Catalog No	# of Poles	Dimensions		X	Catalog No	# of Poles	Dimensions	
		A	B				A	B
201	1	1.19	0.88	X	216	16	7.75	7.44
202	2	1.62	1.31	X	217	17	8.19	7.88
203	3	2.06	1.75	X	218	18	8.62	8.31
204	4	2.50	2.19	X	219	19	9.06	8.75
205	5	2.94	2.63	X	220	20	9.50	9.19
206	6	3.37	3.06	X	221	21	9.93	9.62
207	7	3.81	3.50	X	222	22	10.37	10.06
208	8	4.25	3.94	X	223	23	10.81	10.50
209	9	4.68	4.37	X	224	24	11.24	10.93
210	10	5.12	4.81	X	225	25	11.68	11.37
211	11	5.56	5.25	X	226	26	12.12	11.81
212	12	5.99	5.68	X	227	27	12.55	12.24
213	13	6.43	6.12	X	228	28	12.99	12.68
214	14	6.87	6.56	X	229	29	13.43	13.12
215	15	7.31	7.00	X	230	30	13.86	13.55

MM = Dim X 25.4

[WWW.MARATHONSP.COM](http://WWW.MARATHONSP.COM)  
1-419-352-8441

PDS 0244 REV A 2/21/08