

Product Data Sheet



4XX Series Std

Replace "XX" with 01 through 12 for number of poles
Terminal Block – Closed Back
30 Amps, 600 Volts (AC/DC)
with unprepared wire

or

65 Amps, 600 Volts AC/DC when
wired with Listed crimp type ring,
spade or fork terminal



(6 Pole shown)

Copper Wire Only

Wire Range with Wire Binding Screw: #10 - #12 AWG (unprepared wire)

Application torque: 20 in. lbs

11/16" Centers

Electrical Ratings:

- 30A with unprepared wire, (Based on NEC Table 310-16, 75°C columns)
- 65A with listed lug
- 600 Volts AC/DC (UL 1059 Class C, User Group - General Industrial)
- Short Circuit Current Rating: 10,000A (Default)

Mechanical Ratings:

- Storage and transportation temperature range: -35°C to 110°C (-31°F to 230°F)*
- Maximum insulator base temperature: 150°C (302°F)* UL RTI
- Flammability rating of insulator base: UL 94V-0
- * Use outside these ratings needs to be judged in the end-use application.
- Approved for Factory and Field Wiring.

Materials:

- Connector (Contact): Brass, tin plated.
- Insulator base: Phenolic
- Drive screw (Rivet): Stainless steel
- Screw, #10-32 Binder head, Phil-Slot: Steel, nickel plated

Agency Approvals:

- UL Recognized, UL 1059 Terminal Block Standard, File No. XCFR2.E62806
- CSA Certified, CSA C22.2 No. 158, File No. LR19766
- CE compliant, IEC 60947-7-1
- RoHS Compliant

Wire Range:

Wire Size	Torque	Copper Wire Stranding Classes - Number of Strands		
		Solid	Class B	Class C
10	20 in. lbs	1	7	19
12	20 in. lbs	1	7	19
14	20 in. lbs	1	7	19
16	20 in. lbs	1	7	19
18	20 in. lbs	1	7	19
20	20 in. lbs	1	7	19
22	20 in. lbs	1	7	19

Suggested product mounting hardware: #8 fastener, torque to 15-20 in. lbs.

ACCESSORIES:

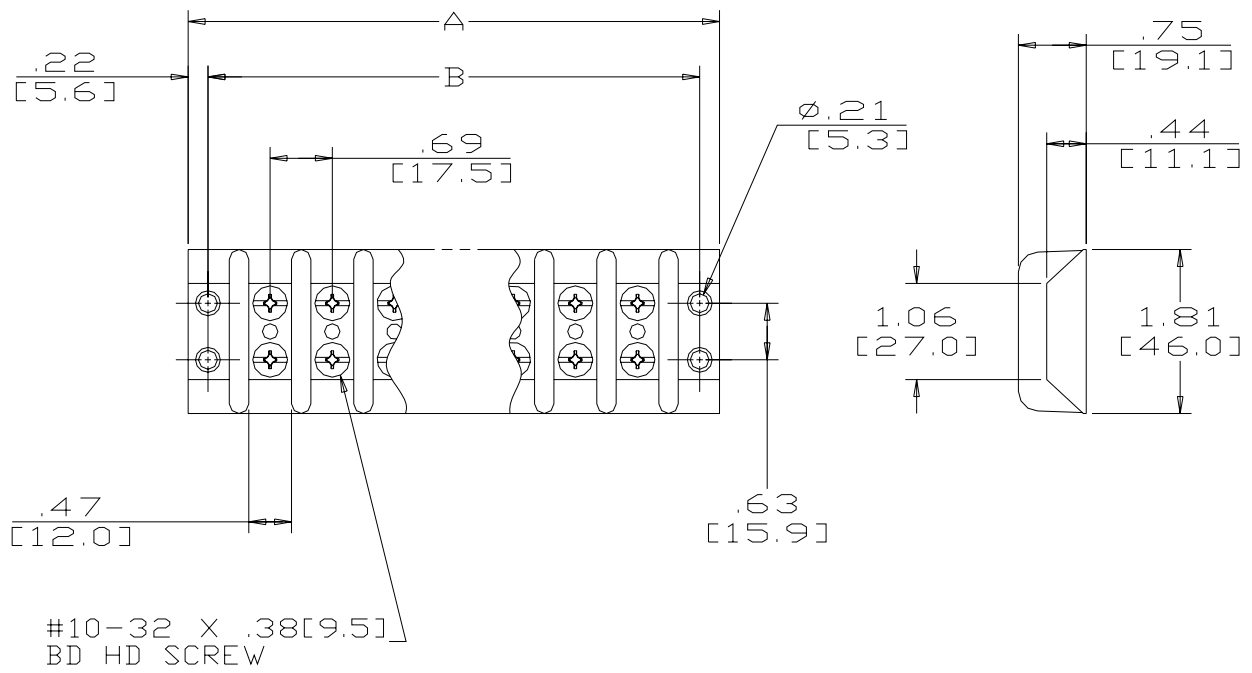
- Printing: for printing options, see Terminal Block Printing <http://marathonsp.com/CatalogPDFs/TBPrinting.pdf>

- Phil-Slot Brass Screw (PSB)

- Line to Line Jumper (LL400) or (J603)



- Phil-Slot Brass Screw (PSB)



	No. Poles	Dimensions	
		A	B
401	1	1.81	1.38
402	2	2.50	2.06
403	3	3.19	2.75
404	4	3.88	3.44
405	5	4.56	4.13
406	6	5.25	4.81
407	7	5.94	5.50
408	8	6.62	6.19
409	9	7.31	6.87
410	10	8.00	7.56
411	11	8.68	8.25
412	12	9.37	8.94

WWW.MARATHONSP.COM
1-419-352-8441

PDS 0250 REV B 8/25/09