

# Product Data Sheet



## 4TB XX F

Replace "XX" with 08 or 20 for number of poles

Navy Class Terminal Board

40 Amps, 60Hz

600 Volts RMS



(8 Pole shown)

### Copper Wire Only

Single Stud  
Double Row

Recommended Maximum size wire: #12 AWG

### Electrical Ratings:

- 40A, 60Hz
- 600 Volts RMS
- 2200 Volts RMS Dielectric Withstanding Voltage

### Mechanical Ratings:

- Maximum insulator base temperature: 130°C (266°F)\* UL RTI
- Flammability rating of insulator base: UL 94V-0

### Materials:

- Insulator base: MAI-60 in accordance with MIL-M-14.
- Stud #8-32 NC-2: Brass, unplated
- Barrel Nut: Brass, unplated (provided loose) (Part no. 9201848)

### Agency Approvals:

- A-A-59125 / 10 , (supercedes MIL-T-55164 / 10)
- MAI-60 in accordance with MIL-M-14
- RoHS Compliant



Barrel Nut (not to scale)  
One provided per stud  
(Shipped unassembled)

## Wire Range:

- Maximum size: #12 AWG Copper

## Lug information:

- MS17143 – 3
- Maximum Lug Width : 0.395" (10.0 mm)
- Recommended Torque: 16 – 18 in. lbs. (1.8 – 2.0 N·m)
- Screw Size: #8

Suggested product mounting hardware: #10 fastener, torque to 25-30 in. lbs.

Barrel Nut Screwdrivers can be purchased at the following link:

[http://comsaco.com/catalog/product\\_info.php?products\\_id=182](http://comsaco.com/catalog/product_info.php?products_id=182)

## ACCESSORIES:

- For additional Barrel Nuts, order 9201848
- Marking strips - sub mounted. Can be made from XP (general purpose laminate), XXXPFR (flame retardant), GME (glass cloth melamine), or GEE (glass cloth epoxy) material. (For Printing Options, consult factory)

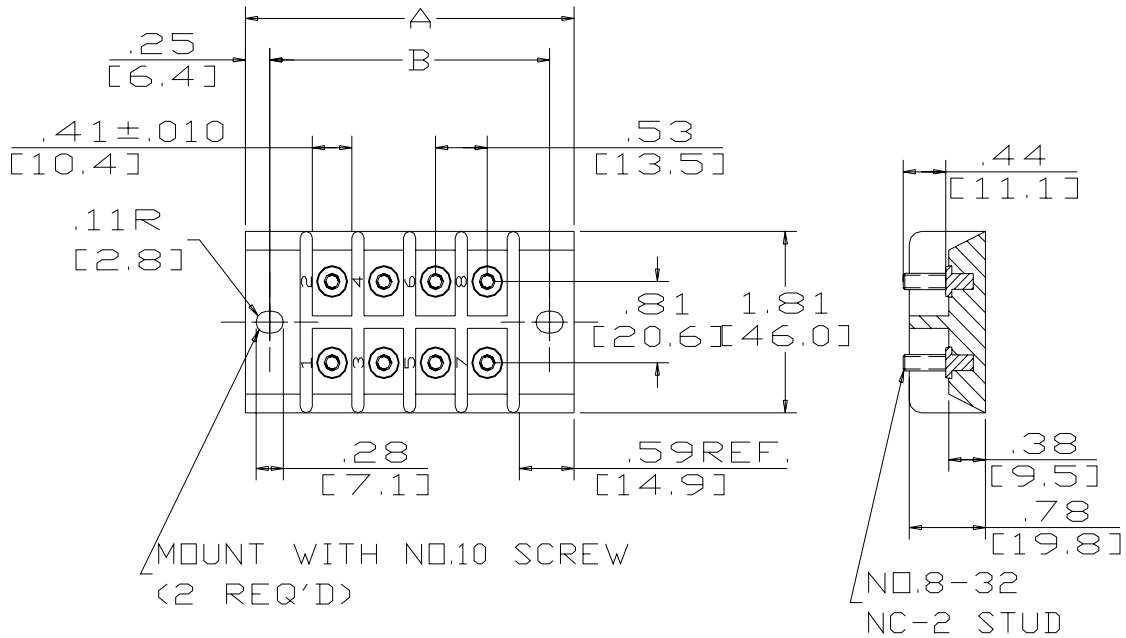


Catalog No	No. of Terminals	Dimensions		No. of Nuts
		A	B	
4TB 08F	8	3.38	2.88	8
4TB 20F	20	6.50	6.00	20

MM = Dim X 25.4

WWW.MARATHONSD.COM

1-



419-352-8441

PDS 0313 REV A 6/18/08