

Product Data Sheet



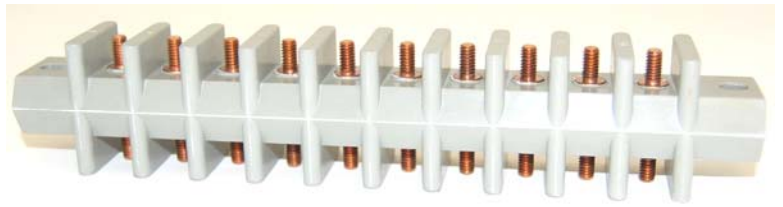
5TB XX F

Replace "XX" with 08 or 10 for number of poles

Navy Class Terminal Board

50 Amps, 60Hz

600 Volts RMS



(10 Pole shown)

Copper Wire Only

Feed Thru Stud

Single Row

Recommended Maximum size wire: #10 AWG



Barrel Nut (NOT TO SCALE)
One provided per stud
(Shipped unassembled)

Electrical Ratings:

- 50A, 60Hz
- 600 Volts RMS
- 2200 Volts RMS Dielectric Withstanding Voltage

Mechanical Ratings:

- Maximum insulator base temperature: 130°C (266°F)* UL RTI
- Flammability rating of insulator base: UL 94V-0

Materials:

- Insulator base: MAI-60 in accordance with MIL-M-14.
- Stud #8-32 NC-2: Brass, unplated
- Barrel Nut: Brass, unplated (provided loose) (9201848)

Agency Approvals:

- A-A-59125 / 11, (supercedes MIL-T-55164 / 11)
- MAI-60 in accordance with MIL-M-14
- RoHS Compliant

Wire Range:

- Maximum size: #10 AWG Copper

Lug information:

- MS17143 – 3
- Maximum Lug Width : 0.395" (10.0 mm)
- Recommended Torque: 16 – 18 in. lbs. (1.8 – 2.0 N·m)
- Screw Size: #8

Suggested product mounting hardware: #6 fastener, torque to 10-15 in. lbs.

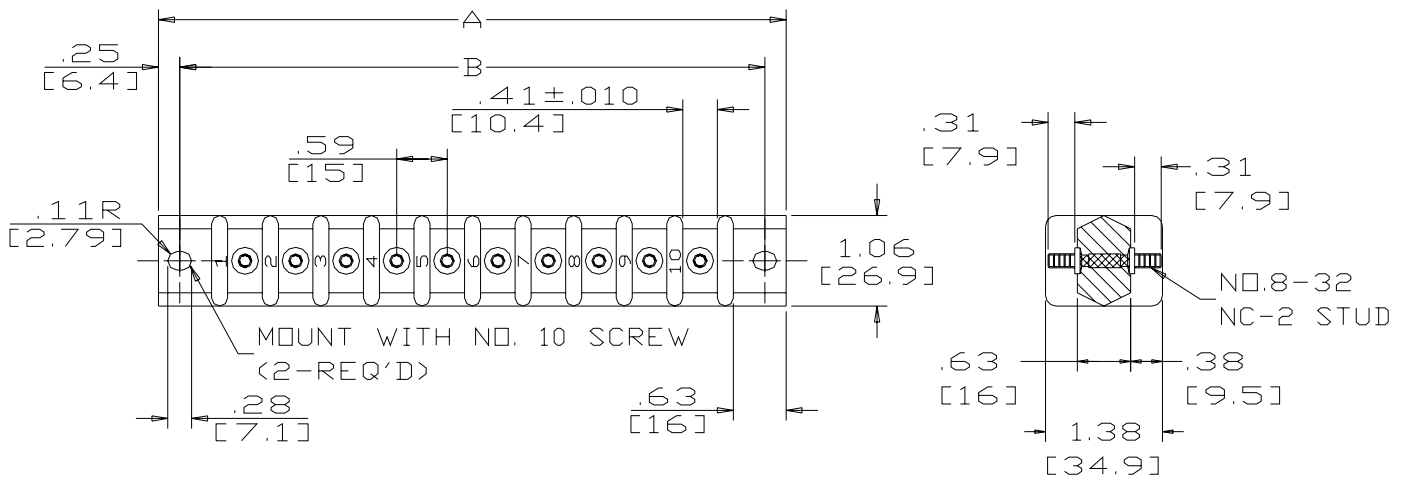
Barrel Nut Screwdrivers can be purchased at the following link:
http://comsaco.com/catalog/product_info.php?products_id=182

ACCESSORIES:

- To order additional barrel nuts, order 9201848

Catalog No	No. of Terminals	Dimensions		No. of Nuts
		A	B	
5TB 08F	8	6.13	5.63	16
5TB 10F	10	7.38	6.88	20

MM = Dim X 25.4



WWW.MARATHONSP.COM
1-419-352-8441

PDS 0314 REV A 6/18/08