

Product Data Sheet



699 GP XX PSB

Replace "XX" with 01 through 23 for number of poles

Terminal Block– Open Back
20 Amps, 150 Volts (AC/DC)



(6 Pole shown)

Insulator Strip Required for Voltage Rating

Copper Wire Only

Wire Range with Wire Binding Screw: #14 - #16 AWG

7/16" Centers

Application torque: 9 in. lbs

Electrical Ratings:

- 20A with Listed ring lug or unprepared wire, (Based on NEC Table 310-16, 75°C columns)
- 150 Volts AC/DC (UL 1059 Class B, User Group – Commercial Appliances)
- Short Circuit Current Rating: 10,000A (Default)
- Approved for Factory Wiring.

Mechanical Ratings:

- Maximum insulator base temperature: 150°C (302°F)* UL RTI
 - Flammability rating of insulator base: UL 94V-1
- * Use outside these ratings needs to be judged in the end-use application.

Materials:

- Connector (Eyelet): Brass, tin plated.
- Insulator base: Phenolic
- Screw, #6-32 Binder head, Phil-Slot: Brass, nickel plated

Agency Approvals:

- UL Recognized, UL 1059 Terminal Block Standard, File No. XCFR2.47811
- CSA Certified, CSA C22.2 No. 158, File No. LR19766
- CE compliant, IEC 60947-7-1
- RoHS Compliant

Wire Range:

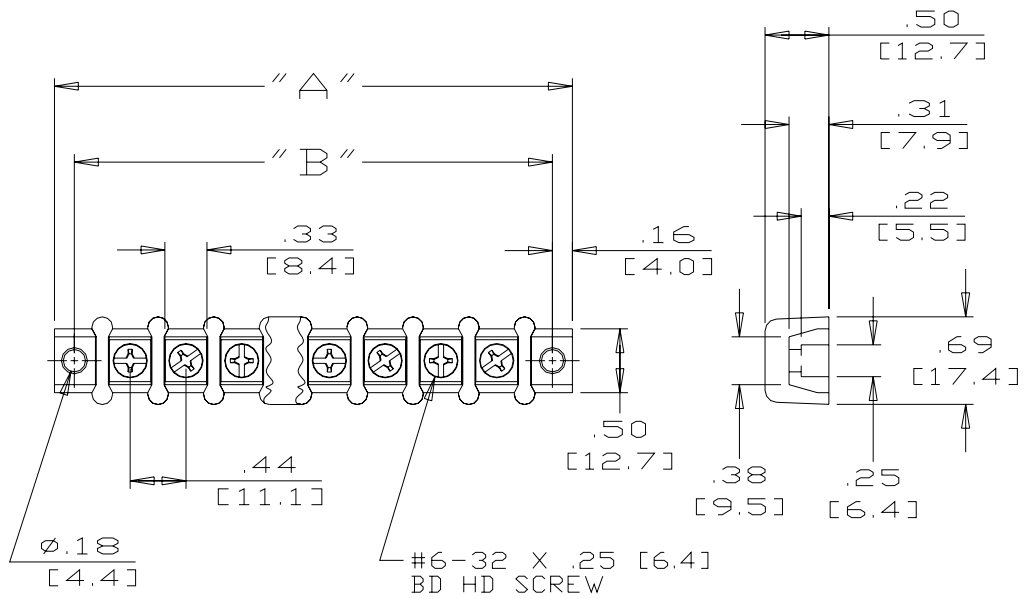
| | | Copper Wire Stranding Classes - Number of Strands | | |
|-----------|-----------|---|---------|---------|
| Wire Size | Torque | Solid | Class B | Class C |
| 14 | 9 in. Lbs | 1 | 7 | 19 |
| 16 | 9 in. Lbs | 1 | 7 | 19 |

Suggested product mounting hardware: #6 fastener, torque to 10-15 in. lbs.

ACCESSORIES:

- Insulator Strip

Accessory options may affect ratings – consult factory



| Catalog No | # of Poles | Dimensions | | | Catalog No | # of Poles | Dimensions | |
|------------|------------|------------|------|---|------------|------------|------------|-------|
| | | A | B | | | | A | B |
| 699 GP 01 | 1 | 1.19 | 0.88 | X | 699 GP 13 | 13 | 6.44 | 6.13 |
| 699 GP 02 | 2 | 1.62 | 1.31 | X | 699 GP 14 | 14 | 6.87 | 6.56 |
| 699 GP 03 | 3 | 2.06 | 1.75 | X | 699 GP 15 | 15 | 7.31 | 7.00 |
| 699 GP 04 | 4 | 2.50 | 2.19 | X | 699 GP 16 | 16 | 7.74 | 7.43 |
| 699 GP 05 | 5 | 2.94 | 2.63 | X | 699 GP 17 | 17 | 8.18 | 7.87 |
| 699 GP 06 | 6 | 3.37 | 3.06 | X | 699 GP 18 | 18 | 8.61 | 8.30 |
| 699 GP 07 | 7 | 3.81 | 3.50 | X | 699 GP 19 | 19 | 9.05 | 8.74 |
| 699 GP 08 | 8 | 4.25 | 3.94 | X | 699 GP 20 | 20 | 9.48 | 9.17 |
| 699 GP 09 | 9 | 4.68 | 4.37 | X | 699 GP 21 | 21 | 9.92 | 9.61 |
| 699 GP 10 | 10 | 5.12 | 4.81 | X | 699 GP 22 | 22 | 10.35 | 10.04 |
| 699 GP 11 | 11 | 5.56 | 5.25 | X | 699 GP 23 | 23 | 10.79 | 10.48 |
| 699 GP 12 | 12 | 5.99 | 5.68 | X | | | | |

MM = Dim X 25.4

WWW.MARATHONSP.COM
1-419-352-8441

PDS 0263 Rev A 12/29/08