

Product Data Sheet



6F30AXS

Replace "X" with 1, 2 or 3 for number of poles

Class H Fuse Holder 30 Amps, 600 Volts AC/DC

Wire Range:

#10 - #22 AWG

[See tables below for wire sizes.](#)

Holds fuse size 13/16" diameter X 5"

Commonly used fuses in this holder: A6Y, CRS, NLS, NOS, NRS, OTS, RES, RFS, RLS

Electrical Ratings:

- 0 - 30A max (amperage rating based on maximum fuse rating for that physical size)
- Copper wire only
- 600 Volts AC/DC
- Approved for 10,000 Amp Withstand Rating

Mechanical Ratings:

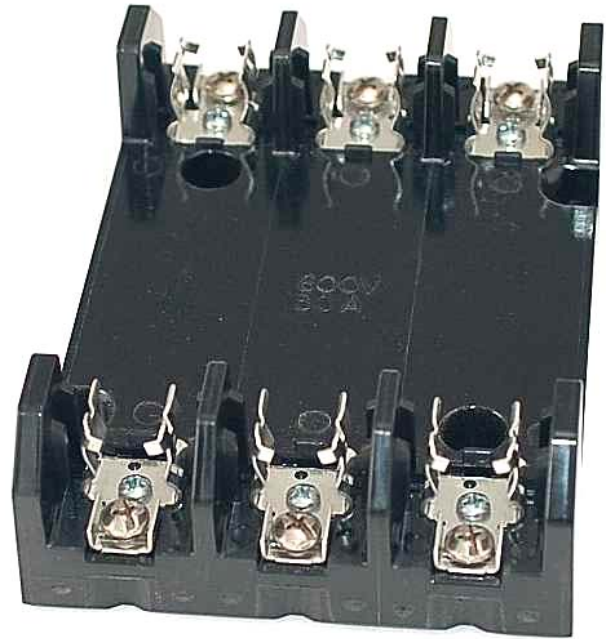
- Insulator base temperature rating: -40°C/F to 150°C (302°F) UL RTI
- Flammability rating of insulator base: UL 94 V-0
- Touch protection: IP-20 (IEC 60529) with optional cover CHR630 (See accessories)
 - Use outside these ratings needs to be judged in the end-use application.

Materials:

- Fuse Clip: Copper alloy, tin plated
- Insulator base: Phenolic
- Thread forming #10-32 binder head screws: Steel, nickel plated
- Fuse Clip anchor screws: Steel, zinc plated

Agency Approvals:

- UL Listed, Fuseholder standards UL 4248-1 and UL 4248-6.
- UL File No. IZLT.E35113
- CSA Certified, CSA C22.2 No. 39 – M1987, File No. LR21455
- CE compliant to IEC 60947-1
- RoHS Compliant



Wire Approvals:

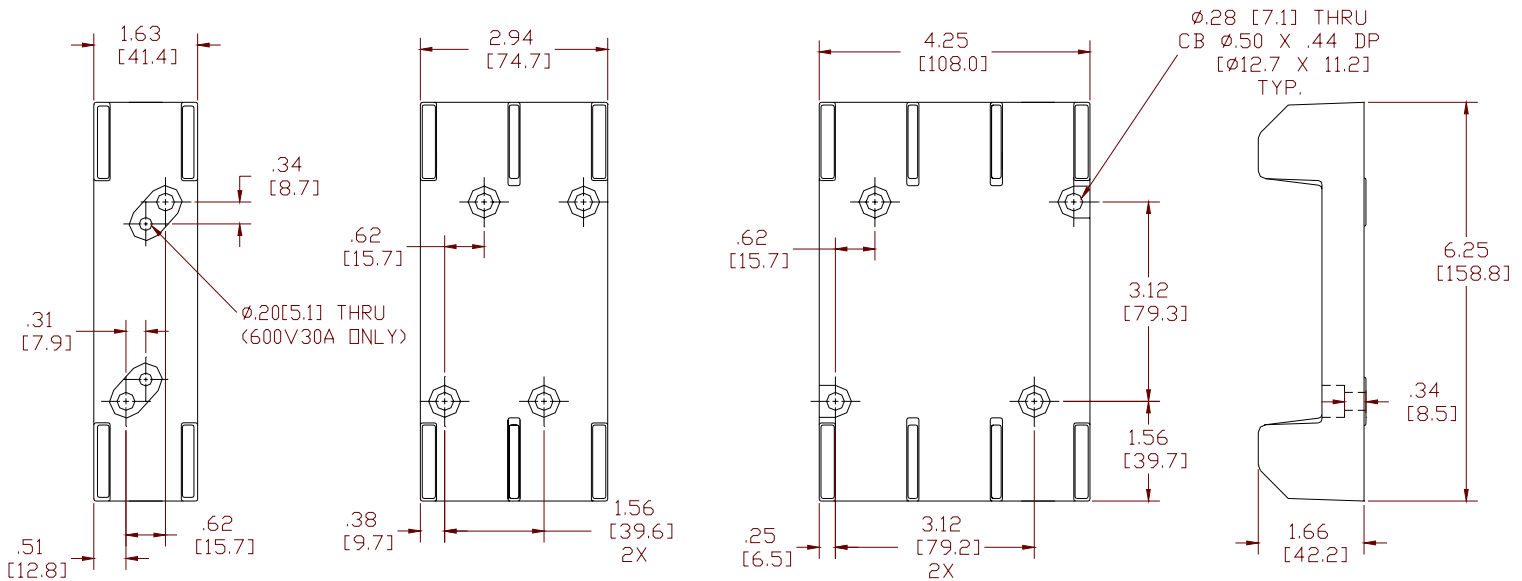
Line and Load Side Wire Approvals:

Wire Size	Torque		Copper Wire Stranding Classes - Number of Conductors		
	N-m	In.lbs.	Solid	Class B	Class C
10	2.8	25	1	1	1
12	2.8	25	1	1	1
14	2.8	25	1	1	1
16	2.8	25	1	1	1
18	2.8	25	1	1	1
20	2.8	25		1	1
22	2.8	25		1	1

- Wire strip length, line and load side wire taps – 7/16”
- Panel mountable: #1/4” (M6) fastener, torque to 30-40 in. lbs. (3.4 - 4.5 N-m)

ACCESSORIES:

- Cover: CHR630. Glass-filled polycarbonate (thermoplastic). 125°C (UL RTI), Flammability rating UL 94 V-0, UL Listed File No. JDVS2.181825.



WWW.MARATHONSP.COM
1-419-352-8441