

Product Data Sheet

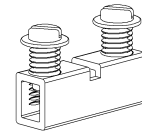


6G38 TS DIN

3/8" Sectional Terminal Block

DIN Mount

50 Amps, 600 Volts (AC/DC)



TS: Tubular
Connector

32 Circuits Per Foot

Copper Wire Only

Wire Range with Wire Binding Screw: #8 - #18 AWG

Wire Termination Torque: 16 in. lbs

See table below for Wire Classes and torque

Electrical Ratings:

- 50A (Based on NEC Table 310-16, 75°C columns)
- 600 Volts AC/DC (UL 1059 Class C, User Group – General Industrial)
- Short Circuit Current Rating: 10,000A (Default)
- Factory and field wiring

Mechanical Ratings:

- Maximum insulator base temperature: 125°C (257°F)* UL RTI
 - Flammability rating of insulator base: UL 94V-0
 - Touch protection: IP-20 (IEC 60529)
- * Use outside these ratings needs to be judged in the end-use application.

Materials:

- Insulator base: Glass-filled polycarbonate (Gray Thermoplastic)
- Tubular Screw Connector: Copper, tin plated
- Screw, #10-32: Steel, nickel plated

Agency Approvals:

- UL Recognized, UL 1059 Terminal Block Standard, File No. XCFR2.E62806
- CSA Certified, CSA C22.2 No. 158, File No. LR19766
- CE compliant, IEC 60947-7-1
- RoHS Compliant

Wire Range:

		Copper Wire Stranding Classes - Number of Strands						
Wire Size	Torque	Solid	Class B	Class C	Class G	Class H	Class I	Class K
8	16 - 20 in. lbs		7	19				
10	16 - 20 in. lbs	1	7	19			~ 27	~ 104
12	16 - 20 in. lbs	(1-3)* 1	(1-3)* 7	(1-3)* 19			~ 19	~ 65
14	16 - 20 in. lbs	(1-4)* 1	(1-4)* 7	(1-2)* 19			(1-2)* ~ 19	(1-2)* ~ 41
16	16 - 20 in. lbs	1	7	19				(1-2)* ~ 26
18	16 - 20 in. lbs		7	19				(1-2)* ~ 16

~ Qty of Individual Strands in Wire Classes G thru K may vary by manufacturer.

* Numbers in parenthesis indicate multiple conductor approvals

Suggested product mounting hardware: #8 (M4) fastener, torque to 15-20 in. lbs.

Standard Pack Qty is 25

ACCESSORIES:

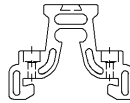
- Jumper: J-38



- End section: 6G38 E DIN



- End bracket: MSK35

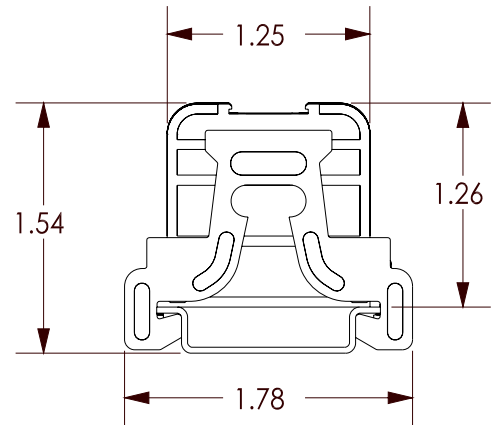
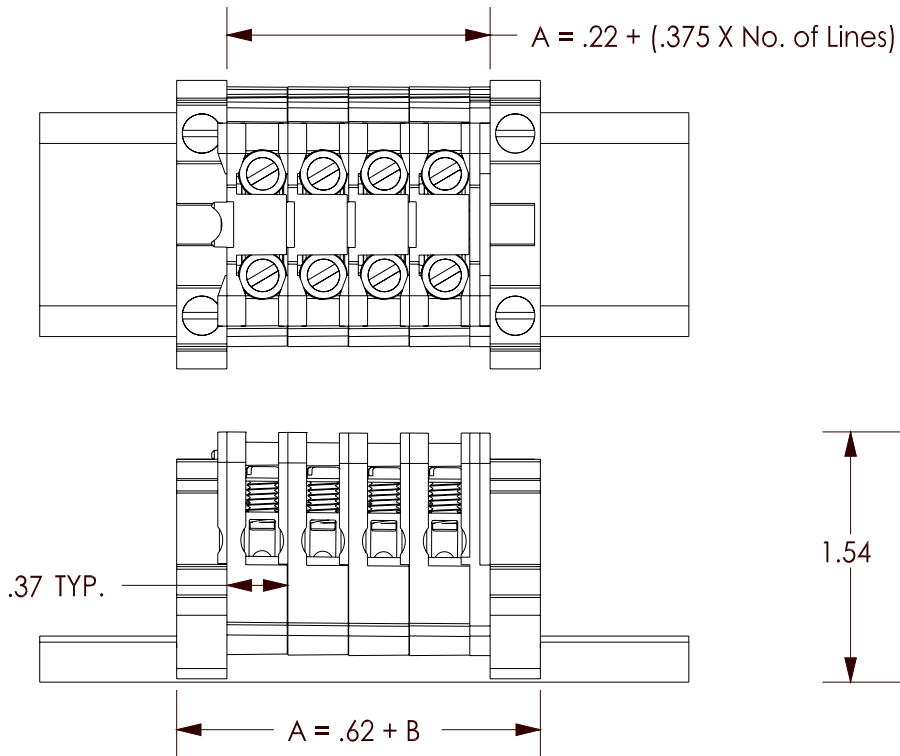


- Din Rail (35 X 7.5 mm X 2 m long, slotted): MN35-2



- Marking Strip (1/2" x 2" white): MS 2





WWW.MARATHONSP.COM
1-419-352-8441