

Product Data Sheet



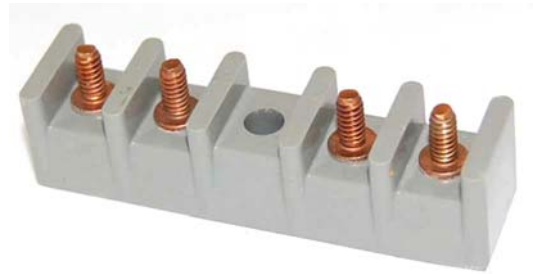
9TB XX F

Replace "XX" with 02 or 04 for number of poles

Navy Class Terminal Board

35 Amps, 60Hz

300 Volts RMS



(4 Pole shown)



Barrel Nut (NOT TO SCALE)
One provided per stud
Shipped Unassembled

Copper Wire Only

Single Stud
Single Row

Recommended Maximum size wire: #12 AWG

Electrical Ratings:

- 35A, 60Hz
- 300 Volts RMS
- 1500 Volts RMS Dielectric Withstanding Voltage

Mechanical Ratings:

- Maximum insulator base temperature: 130°C (266°F)* UL RTI
- Flammability rating of insulator base: UL 94V-0

Materials:

- Insulator base: MAI-60 in accordance with MIL-M-14.
- Stud #4-40 NC-2: Brass, unplated
- Barrel Nut: Brass, unplated (provided loose)

Agency Approvals:

- A-A-59125 / 15, MIL-T-55164 / 15
- MAI-60 in accordance with MIL-M-14
- RoHS Compliant

Wire Range:

- Maximum size: #14 AWG Copper

Lug information:

- MS17143 – 17
- Maximum Lug Width : 0.307" (7.8 mm)
- Recommended Torque: 10 - 12 in. lbs. (1.1 – 1.4 N·m)
- Screw Size: #4

Suggested product mounting hardware: #6 fastener, torque to 10-15 in. lbs.

Barrel Nut Screwdrivers can be purchased at the following link:

http://comsaco.com/catalog/product_info.php?products_id=182

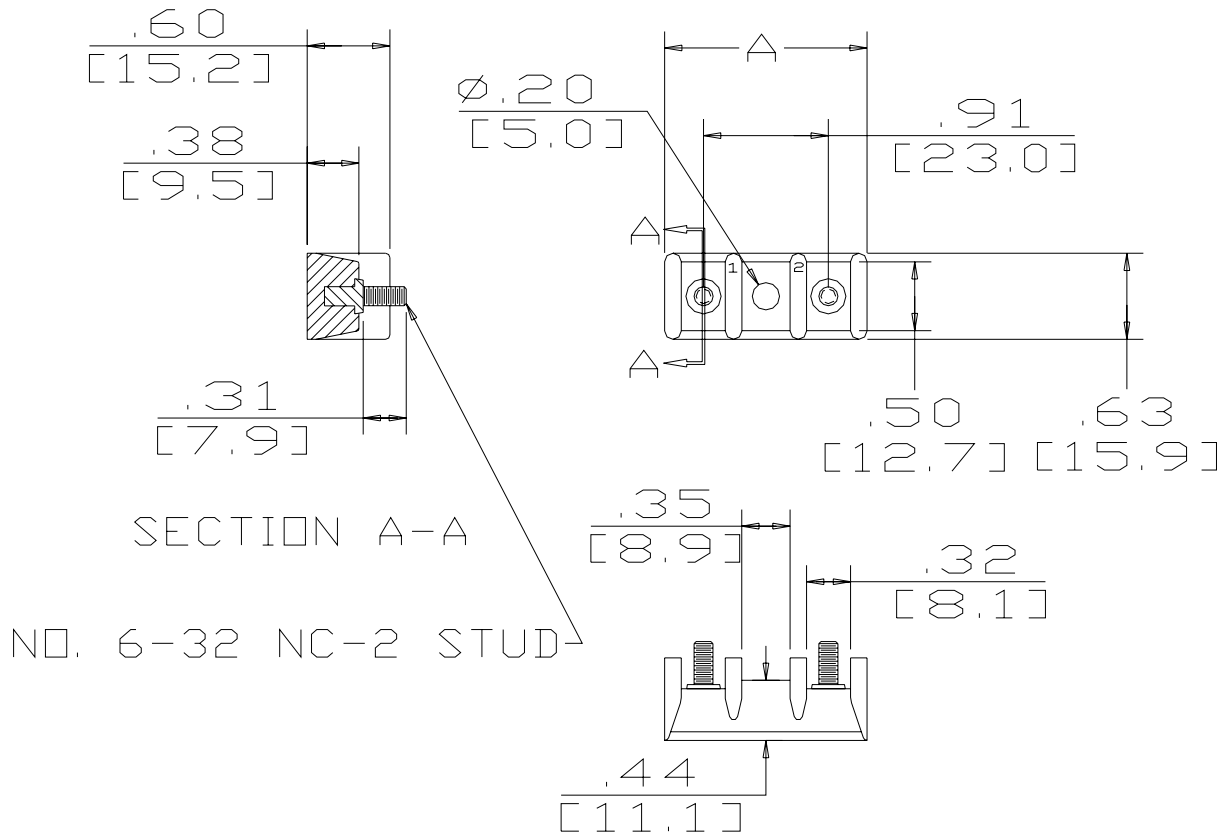
ACCESSORIES:

- Marking strips - sub mounted. Can be made from XP (general purpose laminate), XXXPFR (flame retardant), GME (glass cloth melamine), or GEE (glass cloth epoxy) material. (For Printing Options, consult factory)



Catalog No	# of Terminals	Dimension A	No. of Nuts
9TB 02F	2	1.48	2
9TB 04F	4	2.37	4

MM = Dim X 25.4



WWW.MARATHONSP.COM
1-419-352-8441

PDS 0344 REV A 10/21/08