

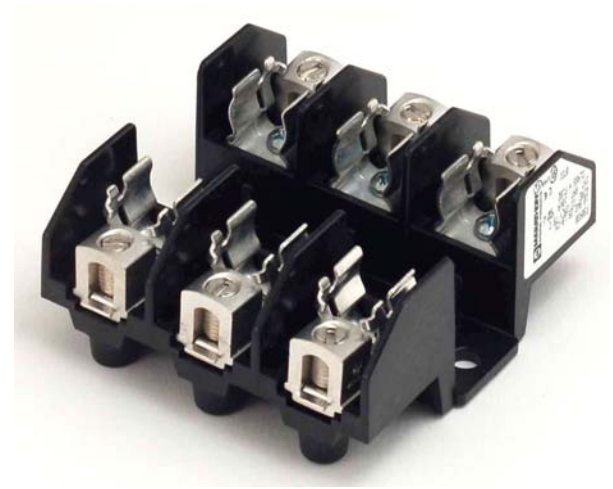
Product Data Sheet



F30AXB

Replace "X" with 1, 2 or 3 for number of poles

Class H Fuse Holder 30 Amps, 250 Volts AC



Wire Range:

#6 - #14 AWG

Holds fuse size 9/16" diameter X 2"

Commonly used fuses in this holder: A2Y, CRN, NLN, NON, NRN, OT, OTN, RLN, RF

[See tables below for wire sizes.](#)

Electrical Ratings:

- 0 - 30A max (amperage rating based on maximum fuse rating for that physical size)
- Copper wire only
- 250 Volts AC
- Approved for 10,000 Amp Withstand Rating

Mechanical Ratings:

- Maximum insulator base temperature: 125°C (257°F) UL RTI
- Storage and transportation temperature range: -35°C to 110°C (-31°F to 230°F)
- Flammability rating of insulator base: UL 94V-0
- Touch protection: IP-20 (IEC 60529) with optional cover CHR230 (See accessories)
 - Use outside these ratings needs to be judged in the end-use application.

Materials:

- Fuse Clip: Copper alloy, tin plated
- Box Connector: High conductivity aluminum, tin plated
- Insulator base: glass filled polycarbonate (thermoplastic)
- Terminal set screws: Steel, nickel plated
- Connector mounting screws: Steel, zinc plated

Agency Approvals:

- UL Listed, UL 512 Terminal Block Standard, File No. IZLT2.E35113
- CSA Certified, CSA C22.2 No. 39 – M1987, File No. LR21455
- CE compliant to IEC 60947-1

- RoHS Compliant

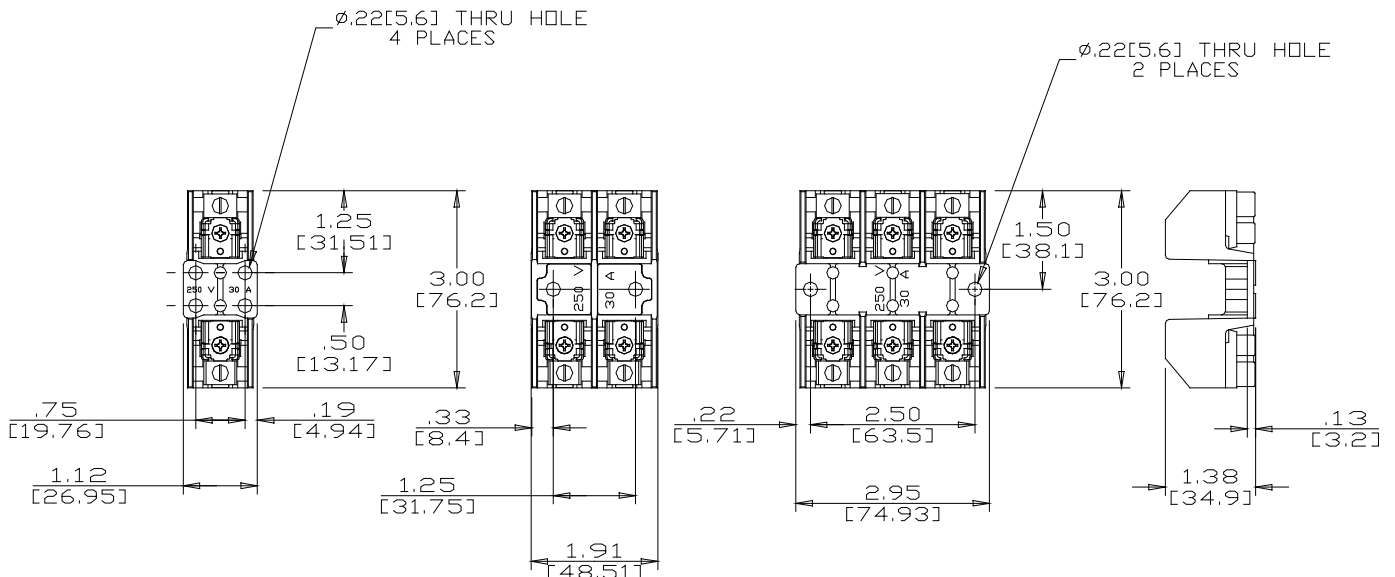
Wire Approvals:

Wire Size	Torque	Copper Wire Stranding Classes - Number of Strands		
		Solid	Class B	Class C
6 AWG	25 in. lbs		7	19
8	25 in. lbs		7	19
10	25 in. lbs	1	7	19
12	25 in. lbs	1	7	19
14	25 in. lbs	1	7	19

- Wire strip length – 7/16”
- Panel mountable: #10 fastener, torque to 25-30 in. lbs.

Accessories:

- Cover: Glass-filled polycarbonate (thermoplastic). 125°C (UL RTI), Flammability rating UL 94 V-0, UL Listed File No. JDVS2.181825.
- DIN Rail Adapter: Din R-1



WWW.MARATHONSP.COM
1-419-352-8441