

Product Data Sheet



FPB33588

Power Distribution Block
335 Amps, 600 Volts (AC/DC)



Wire Range:

Line side: (1) 600kcmil - #2 AWG

Load Side: (3) 1/0 - #14 AWG and (6) #2 - 14

See tables below for SCCR wire ranges and multiple wire approvals.

Electrical Ratings:

- 335A copper wire, 335A aluminum wire (Based on NEC Table 310-16, 75°C columns)
- 600 Volts AC/DC (Service Equipment according to National Electrical Code, NFPA 70)
- Minimum enclosure size: 16 X 12 X 6
- Factory and Field Wiring

Short Circuit Current Ratings (Copper wire only):

Suitable Conductors (kcmil/AWG)		Overcurrent Protection Fuse Required Class/Max Amp Rating						SCCR, RMS SYM Amps	Volts Max
Line	Load	J	T	RK1	RK5	G	CC		
600 - 3/0	1/0 - 8	600	600	400	200	60	30	100,000	600
2/0 - 2	2 - 14	200	200	200	100	60	30	100,000	600

		Overcurrent Protection Circuit Breaker Required			SCCR, RMS SYM Amps	Volts Max
Line	Load	Mfr	Type	Max Amp		
2/0 - 2	2 - 8	Square D	JDL36250	250	18,000	480
		Square D	JGL36250	250	35,000	480
		Square D	JLL36250	250	65,000	480
		Square D	JLL36250	250	65,000	480
600 - 2	1/0 - 4	Allen Bradley	14OU-K6	400	35,000	480
350 - 2	1/0 - 8	Allen Bradley	14OU-J6	250	50,000	480
			14OU-J0	250	50,000	480

Mechanical Ratings:

- Maximum insulator base temperature: 125°C (257°F) UL RTI
 - Maximum insulator base plate temperature: 130°C (266°F) UL RTI
 - Flammability rating of insulator base: UL 94 V-0
- * Use outside these ratings needs to be judged in the end-use application.

Materials:

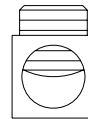
- Connector: High conductivity aluminum, tin plated
- Insulator base: Glass filled polycarbonate (thermoplastic)
- Terminal set screws: Steel, nickel plated and aluminum, tin plated
- Mounting screws: Steel, zinc plated
- Insulator base plate: Phenolic laminate

Agency Approvals:

- UL Listed, File No.QPQS.E309401
- Investigated to UL 1953
- UL 508A Feeder Circuit Terminal Spacing for up to 600 Volts
- CSA Certified, CSA C22.2 No. 158, File No LR 19766
- 600V Rating for Class 6228 01 – Use Groups A, B, C
- CE compliant to IEC 60947-7-1
- RoHS Compliant

Wire Approvals:

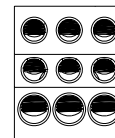
Line Side Wire Approvals:



Wire Size	Torque		Copper Wire Stranding Classes - Number of Strands		
	N.m	in. lbs	Solid	Class B	Class C
600 kcmil	42.3	375		37	61
500	42.3	375		37	61
400	42.3	375		37	61
350	42.3	375		37	61
300	42.3	375		37	61
250	42.3	375		37	61
4/0	42.3	375		19	37
3/0	42.3	375		19	37
2/0	42.3	375		19	37
1/0	42.3	375		19	37
1	42.3	375		19	37
2	42.3	375		7	19

Aluminum stranded wire range: 600kcmil – #2 AWG

Load Side



Wire Approvals:

Wire Size	Torque		Copper Wire Stranding Classes - Number of Strands		
	N.m	in. lbs	Solid	Class B	Class C
1/0 AWG	13.6	120		19	37
1	13.6	120		19	37
2	6.8	60		7	19
4	6.8	60		7	19
6	6.8	60		7	19
8	4.0	35		7	19
10	4.0	35	1	7	19
12	4.0	35	1	7	19
14	4.0	35	1	7	19

Wire Size	Copper Wire Stranding Classes - Number of Strands				
	Torque		Solid	Class B	Class C
	N.m	in. lbs			
2 AWG	6.8	60 in. lbs		7	19
4	6.8	60 in. lbs		7	19
6	6.8	60 in. lbs		7	19
8	4.0	35 in. lbs		(1-2)* 7	(1-2)* 19
10	4.0	35 in. lbs	1	(1-2)* 7	(1-2)* 19
12	4.0	35 in. lbs	1	(1-4)* 7	(1-4)* 19
14	4.0	35 in. lbs	1	(1-4)* 7	(1-4)* 19

* Multiple conductor approvals for **LOAD** side only. (copper wire only)

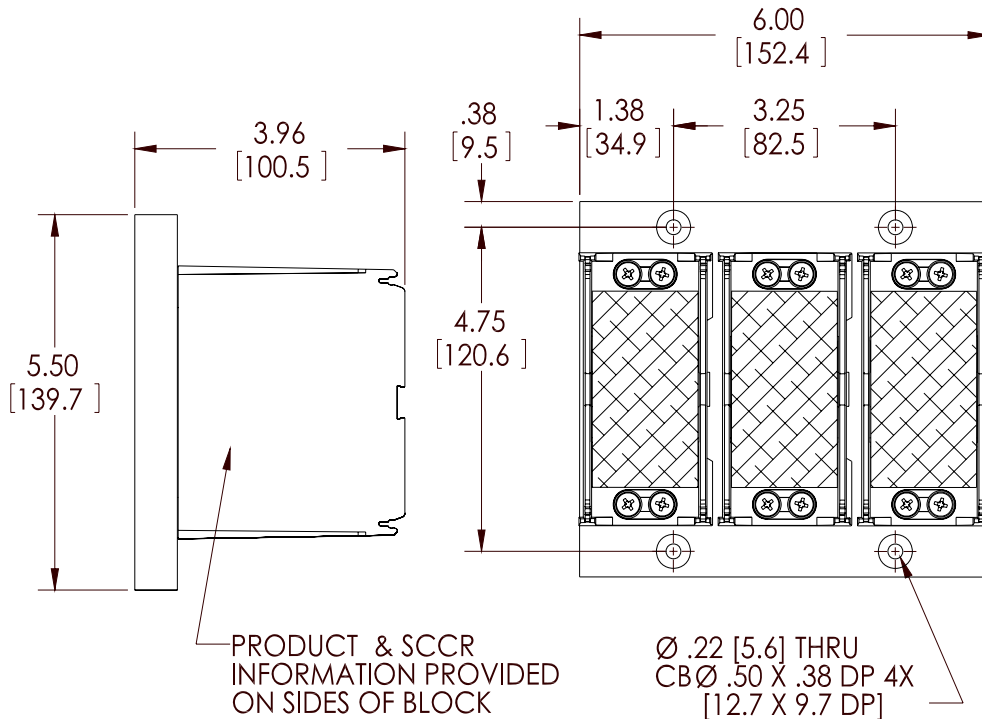
Aluminum stranded wire ranges: 1/0 – 14, #2 – #14 AWG

- Wire strip length, line side tap – 1 9/16"
- Wire strip length, load side tap, top row – 1/2", middle row – 11/16", bottom row – 15/16"

- Panel mountable: #10 fastener, torque to 25-30 in. lbs.
- Hex keys needed: 600 kcmil tap – 1/2", 1/0 tap – 3/16", #2 – 5/32"

Accessories:

- Marker Strips to mark circuits. Printing available. Consult factory.



WWW.MARATHONSP.COM
1-419-352-8441