

# UL Listed 135 Series Power Distribution Blocks

Marathon Special Products has been an industry leader in electrical/electronic components designed for circuit protection and connection applications for over 60 years.

We are pleased to introduce our new **UL Listed Thermoplastic 135 Series Power Distribution Blocks**. The features of the 135 Series Power Distribution Block include high current carrying capacity, wide range of wiring options and suitability for UL508A Control Panel Applications up to Short Circuit Current Rating (SCCR) of 100,000 SYM Amps.



Shown: 1351708 (UL Listed) and 1353702CH with accessory cover (UL Recognized)

## ELECTRICAL

- Provides feeder circuit terminal spacing up to 1" through air and 2" over surface
- Rated for 600 Volts (AC/DC) per UL508A, Section 10
- Amperage Ratings up to 950A for copper wire and 770A for aluminum wire
- Line side accepts up to (2) 750 kcmil wires, per phase
- Load side accepts up to (2) 750 kcmil, (6) 250 kcmil, (8) 3/0, or (10) 2/0 wires, per phase
- Rated for flexible stranded copper wire (UL Class G/H/I/DLO) as well as copper and aluminum "code" wire (UL Class B and C)

## MECHANICAL

- High-impact resistant thermoplastic insulator base, flame retardant and heat resistant
- Rated UL 94-V-0
- UL Temperature Rating 125°C
- Mounting: panel mount
- Touch-proof hinge cover optional (CH)

## CERTIFICATIONS

- UL Listed, Investigated to UL 1953, File QPQS.E309401
- UL Recognized File No. XCFR2.E62806, XCFR8.E62806
- Short Circuit Current Ratings (SCCR) up to 100,000 SYM Amps
- CSA Certified (pending), CSA 22.2 No. 158, File 019766\_0\_000
- RoHS Compliant



The 135 Series Power Distribution Blocks have been investigated to meet UL1953 (Power Block standard) requirements and are listed for general installation. This means that they have adequate spacing for most OEM and field applications.

The advantage of using a 135 series listed Power Distribution Block versus a recognized block is that a listed block (UL1953) can be used in "as supplied condition" since it meets the feeder circuit terminal spacing requirements per UL508A section 10.2 (1" through air and 2" over surface at 600V). Since these blocks are identified with a listing mark from UL, the inspector would not need to check "conditions of acceptability" resulting in a quicker completion of inspection.

The 135 Series Power Distribution Blocks comply with National Electric Codes (NEC) for use in service equipment. Since these blocks are UL Listed and service equipment rated, these blocks are suitable for applications where system components must be connected in the field. This includes installation in industrial control panel feeder/branch circuits, splicing and tapping conductors in junction boxes, termination boxes, and similar applications. They can also be used in connection of modular tower sections for wind turbines, for large motor connections such as water lifting and material handling, and for interconnection of multiple panels in control and power distribution systems.

The majority of Marathon's products have been tested and comply to UL requirements for use with flexible stranded wires, have short-circuit current ratings (SCCR) and are CE 1000 Volt AC/DC rated. Marathon's short lead times, technical support, and excellent customer service assure you receive a quality product as quickly as possible. Please visit [www.marathonsp.com](http://www.marathonsp.com) for detailed datasheets and specific product information. You can also email us at [marketing@marathonsp.com](mailto:marketing@marathonsp.com) or call (419) 352-8441.

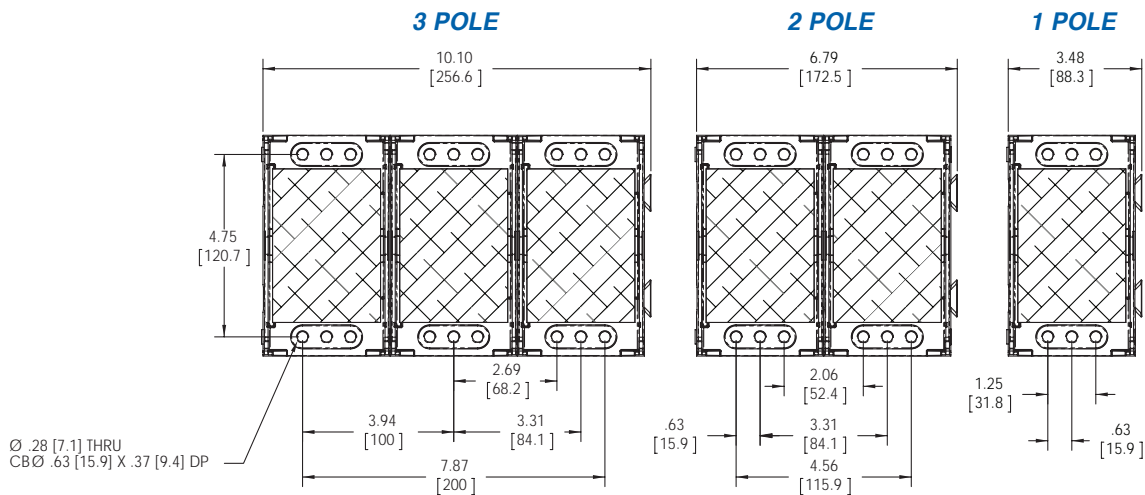


# 135 Series UL Listed Power Distribution Blocks

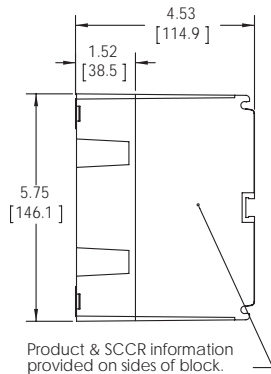
| CATALOG #                     | Without Cover | With Cover Assembled | Poles | Amps | MATERIAL  |           | LINE SIDE            |                   |                   | LOAD SIDE            |                   |                   | SCCR, RMS SYM Amps 600 Volt Max |
|-------------------------------|---------------|----------------------|-------|------|-----------|-----------|----------------------|-------------------|-------------------|----------------------|-------------------|-------------------|---------------------------------|
|                               |               |                      |       |      | Insulator | Connector | Wire Range AWG/kcmil | Openings per Pole | Connector Config. | Wire Range AWG/kcmil | Openings per Pole | Connector Config. |                                 |
| 1351701<br>1352701<br>1353701 |               | 1351701CH            | 1     | 475  | Plastic   | Aluminum  | 750 kcmil - 1/0 AWG  | 1                 |                   | 750 kcmil - 1/0 AWG  | 1                 |                   | 100,000                         |
|                               | 1352701       | 1352701CH            | 2     |      |           |           |                      |                   |                   |                      |                   |                   |                                 |
|                               | 1353701       | 1353701CH            | 3     |      |           |           |                      |                   |                   |                      |                   |                   |                                 |
| 1351702<br>1352702<br>1353702 |               | 1351702CH            | 1     | 950  | Plastic   | Aluminum  | 750 kcmil - 1/0 AWG  | 2                 |                   | 750 kcmil - 1/0 AWG  | 2                 |                   | 100,000                         |
|                               | 1352702       | 1352702CH            | 2     |      |           |           |                      |                   |                   |                      |                   |                   |                                 |
|                               | 1353702       | 1353702CH            | 3     |      |           |           |                      |                   |                   |                      |                   |                   |                                 |
| 1351703<br>1352703<br>1353703 |               | 1351703CH            | 1     | 950  | Plastic   | Aluminum  | 750 kcmil - 1/0 AWG  | 2                 |                   | 250 kcmil - 6 AWG    | 6                 |                   | 100,000                         |
|                               | 1352703       | 1352703CH            | 2     |      |           |           |                      |                   |                   |                      |                   |                   |                                 |
|                               | 1353703       | 1353703CH            | 3     |      |           |           |                      |                   |                   |                      |                   |                   |                                 |
| 1351704<br>1352704<br>1353704 |               | 1351704CH            | 1     | 950  | Plastic   | Aluminum  | 750 kcmil - 1/0 AWG  | 2                 |                   | 2/0 - 14 AWG         | 10                |                   | 100,000                         |
|                               | 1352704       | 1352704CH            | 2     |      |           |           |                      |                   |                   |                      |                   |                   |                                 |
|                               | 1353704       | 1353704CH            | 3     |      |           |           |                      |                   |                   |                      |                   |                   |                                 |
| 1351705<br>1352705<br>1353705 |               | 1351705CH            | 1     | 950  | Plastic   | Aluminum  | 750 kcmil - 1/0 AWG  | 2                 |                   | 2-14 AWG             | 12                |                   | 100,000                         |
|                               | 1352705       | 1352705CH            | 2     |      |           |           |                      |                   |                   | 250 kcmil - 6 AWG    | 3                 |                   |                                 |
|                               | 1353705       | 1353705CH            | 3     |      |           |           |                      |                   |                   |                      |                   |                   |                                 |
| 1351706<br>1352706<br>1353706 |               | 1351706CH            | 1     | 950  | Plastic   | Aluminum  | 750 kcmil - 1/0 AWG  | 2                 |                   | 2-14 AWG             | 4                 |                   | 100,000                         |
|                               | 1352706       | 1352706CH            | 2     |      |           |           |                      |                   |                   | 250 kcmil - 6 AWG    | 5                 |                   |                                 |
|                               | 1353706       | 1353706CH            | 3     |      |           |           |                      |                   |                   |                      |                   |                   |                                 |
| 1351707<br>1352707<br>1353707 |               | 1351707CH            | 1     | 950  | Plastic   | Aluminum  | 750 kcmil - 1/0 AWG  | 2                 |                   | 2-14 AWG             | 12                |                   | 100,000                         |
|                               | 1352707       | 1352707CH            | 2     |      |           |           |                      |                   |                   | 3/0 - 6 AWG          | 4                 |                   |                                 |
|                               | 1353707       | 1353707CH            | 3     |      |           |           |                      |                   |                   |                      |                   |                   |                                 |
| 1351708<br>1352708<br>1353708 |               | 1351708CH            | 1     | 950  | Plastic   | Aluminum  | 750 kcmil - 1/0 AWG  | 2                 |                   | 3/0 - 6 AWG          | 8                 |                   | 100,000                         |
|                               | 1352708       | 1352708CH            | 2     |      |           |           |                      |                   |                   |                      |                   |                   |                                 |
|                               | 1353708       | 1353708CH            | 3     |      |           |           |                      |                   |                   |                      |                   |                   |                                 |

3 pole blocks shown above without hinge cover (CH) - CH version is UL Recognized

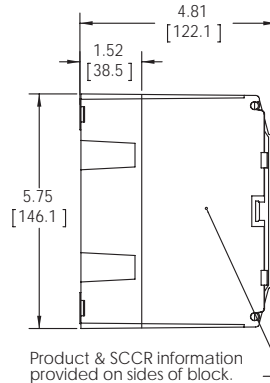
Datasheets available at [marathonsp.com](http://marathonsp.com)



SIDE VIEW WITHOUT COVER



SIDE VIEW WITH COVER ASSEMBLED



Hinge Cover can be purchased separate from block - specify part number **CH 1351** (1 cover per pole)



13300 Van Camp Road • P.O. Box 468 • Bowling Green, Ohio 43402

Phone: (419) 352-8441 • Fax: (419) 352-0875 • [marketing@marathonsp.com](mailto:marketing@marathonsp.com)

[www.marathonsp.com](http://www.marathonsp.com)

