

Class J Enclosed Fuse Holders

Marathon Special Products has been an industry leader in electrical/electronic components designed for circuit protection and connection applications for over 60 years.

The new **Class J Enclosed Fuse Holders** are suitable for applications that require IP20 touchsafe designs.

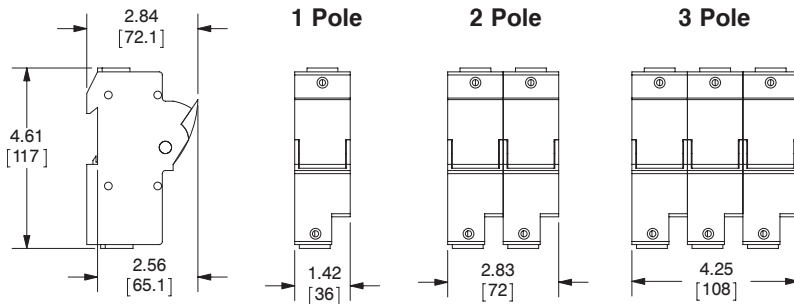


Shown left to right: 6SJ30A3I, 6SJ60A3I

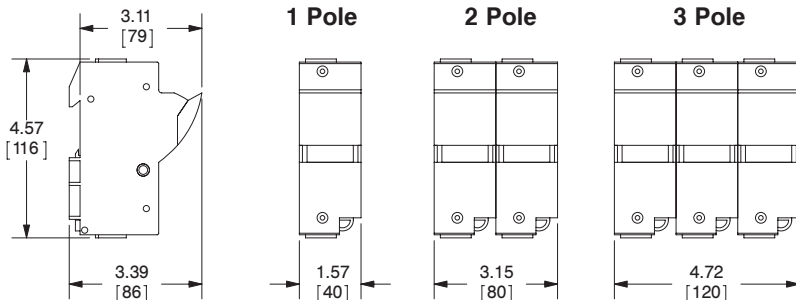
Replace "X" with number of poles

Catalog #	Indicating	Poles	Wire Range	Fuse Size	Fuses
6SJ30AX	No	1/2/3	#1 - #18 AWG or (2) #10-18 AWG	13/16" DIA by 2 1/4"	A4J, AJT JKS, JLS, JTD, JTD_ID, LPJ
6SJ30AXI	Yes	1/2/3	same size & construction		
6SJ60AX	No	1/2/3	#1 - #10 AWG or (2) #6-10 AWG	1 1/16" DIA by 2 3/8"	A4J, AJT JKS, JLS, JTD, JTD_ID, LPJ
6SJ60AXI	Yes	1/2/3	same size & construction		

30 AMPS:



60 AMPS:



SPECIFICATIONS

- 600 Volts, 30-60 Amps
- Base Materials: Thermoplastic
- Tested and Approved for 200,000 Amp Short Circuit Current Rating (SCCR)
- Touchsafe IEC Type Design (IP20)
- Blown Fuse Indicating Type Available (6SJ30AXI and 6SJ60AXI)
- Red Dual LED Indicator - Range of Operating Voltage 100-600V AC/DC, use either Polarity for DC Application

CERTIFICATIONS

- UL Listed File No. IZLT.E35113
- CSA Certified File No. LR21455
- RoHS Compliant



Marathon's short lead times, technical support, and excellent customer service ensure you receive a quality product as quickly as possible. Please visit www.marathonsp.com for detailed datasheets and specific product information.



13300 Van Camp Road • P.O. Box 468 • Bowling Green, Ohio 43402
 Phone: (419) 352-8441 • Fax: (419) 352-0875 • marketing@marathonsp.com

www.marathonsp.com

