

marathon[™]
Special Products

Product Data Sheet

MPV6153DD

Add "CH" to have covers included

Fuse Holder, Modular Bolt-down

600 Amps 600/1500 Volts AC/DC For use with 70 - 600 Amp Photovoltaic Fuses

Wire Range

- For use with Listed lugs or flexible bus bar

Electrical Ratings

- Up to 600A, 1500V AC/DC (see Catalog Number Information table)
- SC withstand 10kA (1500V)
- Factory & field wiring

Agency Compliance

- UL Recognized fuse holder, evaluated to UL 4248-1, 4248-19 File no. 1ZMR2.E364954

Material Information

- Insulator base:
 - Thermoplastic
 - Flammability rating of insulator base UL94 V-0
 - Insulator base temperature rating: -40°C to 125°C (UL RTI)
- Connector - Al, tin plated
- Bolt - grade 5 Steel, zinc plated
- Flat washer - Steel, zinc plated
- Bellville washer - Steel, zinc plated
- RoHS compliant

A Regal Brand

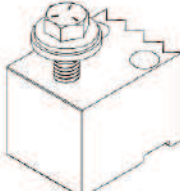
REGAL

Catalog Number Information

Catalog #	Voltage Rating	Suitable Fuse Types	Amperage Rating	Withstand Rating kA	Fuse, Line, Load Terminal Stud Size
MPV6153DD	1500V	Photovoltaic	600A Max	10kA	3/8" Stud

- Add "CH" behind above part numbers for covers installed

Termination Specifications

Line/Load Side	Termination Type	Torque (Lug)	Torque (Flexible bus bar*)	Maximum Lug Width
	Listed lugs or flexible bus bar on 3/8" fasteners	28.3 N·m (250 lbf·in)	28.3 N·m (250 lbf·in)	38.1 mm (1.50")

- For use with conductors prepared with listed connectors such as single hole compression/crimp lugs.
- Conductor size, ampacity, temperature rating and type are dictated by the ratings of the listed lugs utilized and applicable code requirements.
- Suitability for use with rigid bus bar or other conductors or wire connectors to be determined in the end-use application.

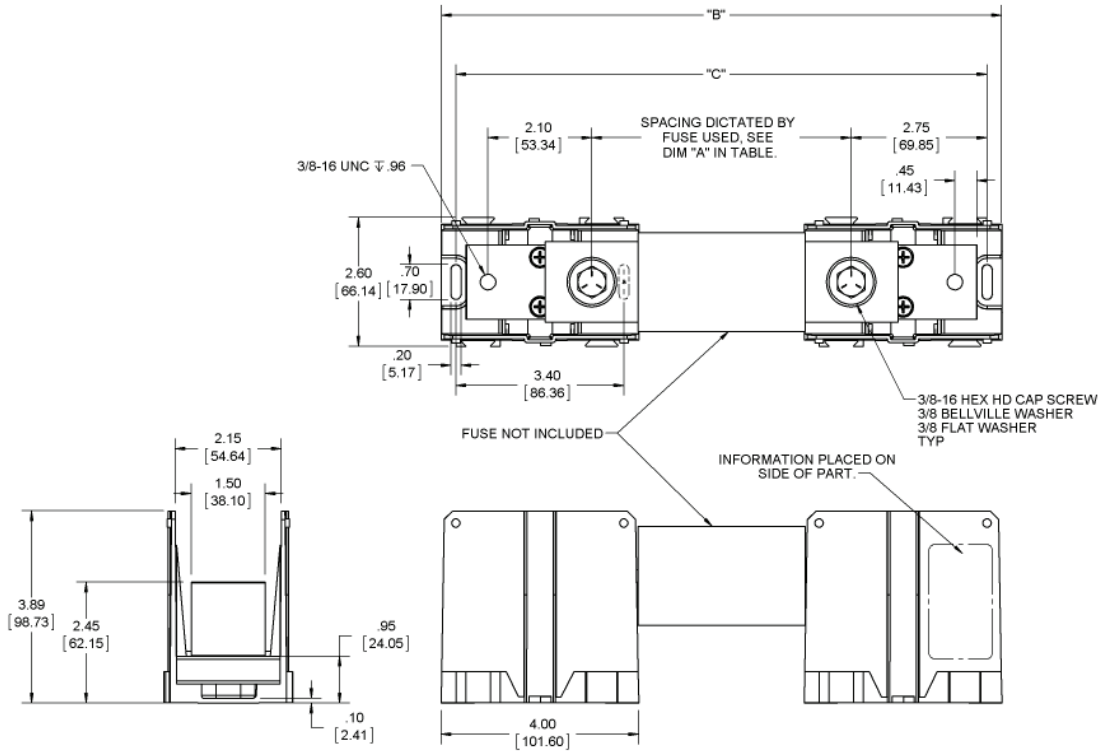
* Tested with Erico Flexibar 10 x 32 x 1

Installation & Accessories

- Mounting:
 - # 10 fastener. Torque to 25 - 30 lbf-in.
- Cover : Clear thermoplastic - CH MFH6

Drawing & Reference Fuse Data

Not limited to fuses below. Fuse can be evaluated in end use



Class	Amp Range	Voltage	Dim "A"	Dim "B"	Dim "C"
XL-B SIZE 1	200A	1000Vdc	5.98	12.08	11.48
XL-B SIZE 2	160-355A	1000Vdc	6.28	12.38	11.78
XL-B SIZE 1	100-200A	1500Vdc	5.98	12.08	11.48
XL-B SIZE 2	125-400A	1500Vdc	6.28	12.38	11.78
SPFJ	250-400A	1000Vdc/600Vac	5.25	11.35	10.75
HP10J	70-200A	1000Vdc	4.39	10.49	9.89
HP10J	250-400A	1000Vdc	5.25	11.35	10.75
HP6J	250-400A	600Vdc	5.25	11.35	10.75