

SOLDER TERMINALS LUGS - Y, YSY & Z SOLDER TAB OPTIONS

MATERIAL: BRASS, TIN PLATED

SERIES	FIG- URE	DIMENSIONS		
		WIDTH	THICK- NESS	LENGTH
599-Z	1	0.09	0.04	0.31
600-Y	2	0.09	0.04	0.31
600-YSY	2	0.09	0.04	0.50
600-Z	3	0.14	0.04	0.62
699-Z	1	0.10	0.04	0.42
601-Y	2	0.10	0.04	0.42
601-YSY	2	0.10	0.04	0.69
602-Y	2	0.13	0.04	0.49
602-YSY	2	0.13	0.04	0.67
602-Z	3	0.13	0.04	0.60
812-Z	1	0.13	0.04	0.64
603-Y	2	0.14	0.06	0.60

FIGURE 1
SINGLE ROW Zs

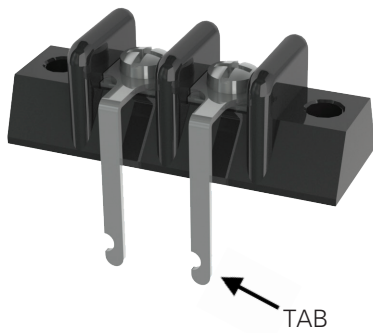


FIGURE 2
DOUBLE ROW Y & YSYs (LONGER)

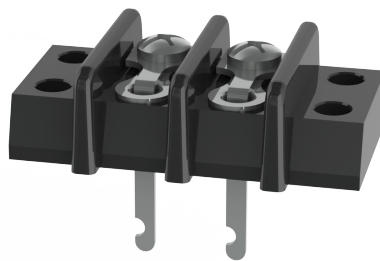


FIGURE 3
DOUBLE ROW Zs

