

Product Data Sheet



1MS103

Semi Conductor Fuse Holder 400 Amps, 600 Volts AC/DC



Wire Range:

(2) 250 kcmil - #6 AWG Copper or Aluminum

Electrical Ratings:

- 400A max (amperage rating based on maximum fuse rating for that physical size)
- 600 Volts AC/DC
- Approved for 200,000 Amp Withstand Rating

Mechanical Ratings:

- Insulator base temperature rating: -40°C/F to 150°C (302°F) UL RTI
- Flammability rating of insulator base: UL 94 V-0
 - Use outside these ratings needs to be judged in the end-use application.

Materials:

- Connector: High conductivity aluminum, tin plated
- Insulator base: General Phenolic
- Terminal set screws: Aluminum, tin plated and Steel, nickel plated
- Connector mounting screws: Steel, zinc plated
- Hex-head bolts: Steel, nickel plated (provided unassembled)
- Belleville washers: Steel, zinc plated (provided unassembled)

Agency Approvals:

- UL Recognized, Fuseholder standards UL 4248-1 and 4248.1-07
- UL File No. IZLT2.E35113
- cURus
- CE compliant to IEC 60947-1
- RoHS Compliant

Wire Range:

Wire Size	Torque		Copper Wire Stranding Classes - Number of Conductors		
	N-m	In. lbs	Solid	Class B	Class C
250 kcmil	31.1	275		1	1
4/0	31.1	275		1	1
3/0	31.1	275		1	1
2/0	31.1	275		1	1
1/0	31.1	275		1	1
1	31.1	275		1	1
2	31.1	275		1	1
4	31.1	275		1	1
6	31.1	275		1	1

Aluminum stranded wire range: 250 kcmil – #6 AWG

- Recommended fuse torque (on bolt): 13.6 N-m (120 in. lbs.)
- Wire strip length: 1 1/8"
- Hex key required: 3/8"

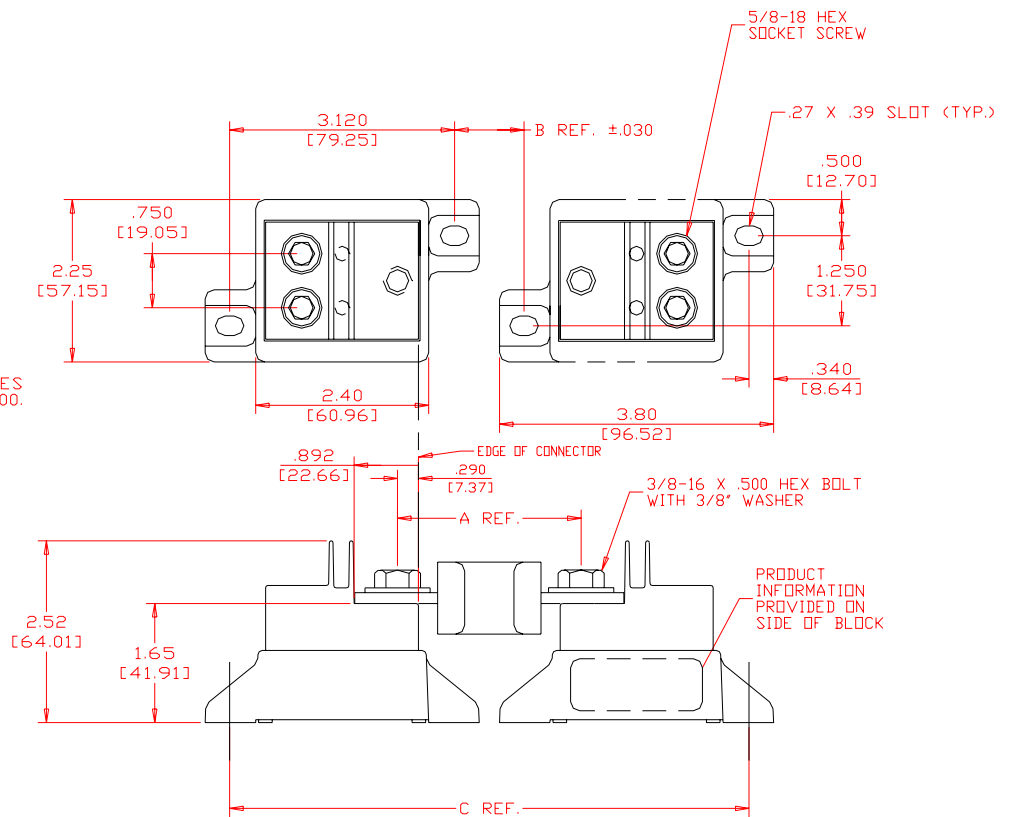
Mounting:

- Panel mountable: #10 fastener, Torque to 2.8 - 3.4 N-m (25-30 in. lbs)

MOUNTING DIMENSIONS				
FUSE	A REF.	B REF.	C	±.03
FBP 125-200	3.06	1.47	7.72	
*FBP 250-400	4.03	2.44	8.70	
L50S 201-400	3.28	1.69	7.94	
L70S 101-200	4.03	2.44	8.69	
*L70S 201-400	4.03	2.44	8.69	
**L25S 201-700	2.78	1.19	7.44	
JLLN 225-400	1.84	0.25	6.50	
JLLS 225-400	2.72	1.13	7.38	
KLC 101-200	4.35	2.76	9.01	
L25S 61-200	2.78	1.19	7.44	
L60S 225-400	4.06	2.47	8.73	
L50S 225-400	3.38	1.69	7.94	

*WHEN USED IN MULTIPLE POLE CONFIGURATIONS, 0.75" SHOULD BE MAINTAINED BETWEEN ADJACENT BLOCK BASES WHEN MOUNTING THE FUSES FBP-250 TO 400 AND L70S-201 TO 400.

**CURRENT RATING FOR 1MS103 IS 400 AMPS.



WWW.MARATHONSP.COM
1-419-352-8441