

SEMI CONDUCTOR FUSE HOLDER

1MS104



Wire Range

- (2) 500 kcmil - #6 AWG Copper or Aluminum

Electrical Ratings

- 600A max (amperage rating based on maximum fuse rating for that physical size)
- 600 Volts AC/DC
- Approved for 200,000 Amp Withstand Rating

Mechanical Rating:

- Insulator base temperature rating: -40°C/F to 150°C (302°F) UL RTI
- Flammability rating of insulator base: UL 94 V-0
- Use outside these ratings needs to be judged in the end-use application

Agency Compliance

- UL Recognized, Fuseholder standards UL 4248-1 and 4248.1-07
- UI File No. IZLT2.E35113
- cURSus
- CE compliant to IEC 60947-1
- RoHS Compliant

Material Information

- Connector: High conductivity aluminum, tin plated
- Insulator base: General Phenolic
- Terminal set screws: Aluminum, tin plated and Steel, nickel plated
- Connector mounting screws: Steel, zinc plated
- Hex-head bolts: Steel, nickel plated (provided unassembled)
- Belleville washers: Steel, zinc plated (provided unassembled)

Wire Range

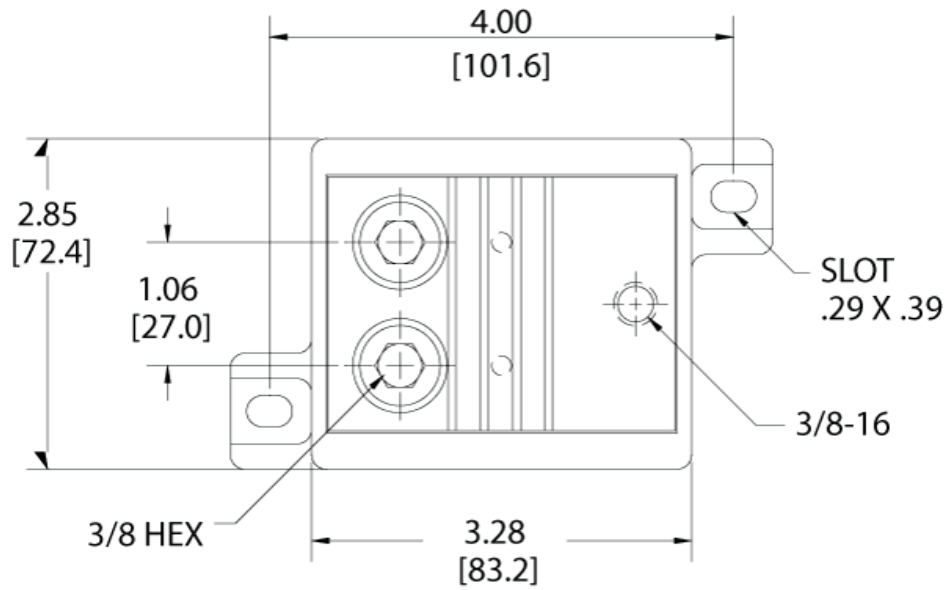
Wire Size	Torque		Copper Wire Stranding Classes - Number of Strands		
	N-m	Ln.lbs	Solid	Class B	Class C
500 kcmil	42.4	375	-	1	1
400	42.4	375	-	1	1
350	42.4	375	-	1	1
300	42.2	375	-	1	1
250	42.2	375	-	1	1
4/0	42.2	375	-	1	1
3/0	42.2	375	-	1	1
2/0	42.2	375	-	1	1
1/0	42.2	375	-	1	1
1	42.2	375	-	1	1
2	42.4	375	-	1	1
4	42.4	375	-	1	1
6	42.4	375	-	1	1

Aluminum stranded wire range: 500 kcmil - #6 AWG

- Recommended fuse torque (on bolt): 19.2 N-m (170 in. lbs.)
- Wire strip length: 1 3/8"
- Hex key required: 3/8"

Mounting:

- Panel mountable: 1/4" (M6) fastener, mounting torque to be determined in end-use application. Not to exceed 30 lbf. (3.4 N-m)



Mounting Dimensions			
Fuse	A	B	C
FBP 450-600*	3.93	2.24	10.24
L15S 451-1000**	4.03	2.44	8.70
L50S 401-600	3.20	1.51	9.51
L70S 401-600	5.82	4.13	12.13
L25S 201-700**	2.78	1.09	9.09
JLLN 450-600	2.03	0.34	8.34
JLLS 450-600	2.95	1.26	9.26
KLC 201-400*	4.88	3.19	11.19
KLC 401-800***	4.88	3.19	11.19
L60S 401-600	4.06	2.37	10.37
SPP 4B50-400	2.98	1.29	9.29
SPP 5E50-400	2.98	1.29	9.29
SPP 5B225-600	3.98	2.29	10.29
SPP 5E225-600	3.98	2.29	10.29

Mounting Dimensions			
Fuse	A	B	C
SPP 6B300-600*	3.98	2.29	10.29
SPP 6E300-600	3.98	2.29	10.29
SPP 4F50-400	4.47	2.78	10.78
SPP 4H50-400	4.47	2.78	10.78
SPP 5F225-600	4.79	3.10	11.10
SPP 5H225-600	4.79	3.10	11.10
SPP 6F300-600*	4.79	3.10	11.10
SPP 6H300-600*	4.79	3.10	11.10
SPJ 4B50-250	4.73	3.04	11.04
SPJ 4E50-250	4.73	3.04	11.04
SPJ 5B200-400	4.92	3.23	11.23
SPJ 5E200-400	4.92	3.23	11.23
SPJ 6B300-600*	4.92	3.23	11.23
SPJ 6E300-600	4.92	3.23	11.23

* When used in multiple pole configurations, 0.50" should be maintained between adjacent block bases when mounting the fuses shown.

**Current Rating for 1MS104 is 600 Amps.