

Product Data Sheet



599 GP XX Modified

Replace "XX" with 01 through 30 for number of poles

Terminal Block— Open Back

15 Amps

150 Volts (AC/DC) Class C

300 Volts (AC/DC) Class B



(Variety of hardware shown
on 8-pole product)

Insulator Strip Required for Voltage Rating

Copper Wire Only

Wire Range with Wire Binding Screw: #16 - #22 AWG

3/8" Centers

Application torque: 9 in. lbs

Electrical Ratings:

- 15A with Listed ring lug or unprepared wire, (Based on NEC Table 310-16, 75°C columns)
- 150 Volts AC/DC (UL 1059 Class C, Use Group – General Industrial)
- 300 Volts AC/DC (UL 1059 Class B, Use Group – Commercial Appliances)
- Short Circuit Current Rating: 10,000A (Default)

Mechanical Ratings:

- Maximum insulator base temperature: 150°C (302°F)* UL RTI
- * Use outside these ratings needs to be judged in the end-use application.
- Approved for Factory Wiring

Materials:

- Connector (Eyelet): Brass, Nickel plated.
- Insulator base: Phenolic
- Screw, #5-40, Phil-Slot: Brass, nickel plated

Agency Approvals:

- UL Recognized, UL 1059 Terminal Block Standard, File No. XCFR2.47811
- CSA Certified, CSA C22.2 No. 158, File No. LR19766
- CE compliant, IEC 60947-7-1
- RoHS Compliant

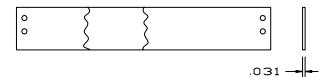
Wire Range:

Wire Size	Torque	Copper Wire Stranding Classes - Number of Strands		
		Solid	Class B	Class C
16	9 in. Lbs	1	7	19
18	9 in. Lbs	1	7	19
20	9 in. Lbs	1	7	19
22	9 in. Lbs		7	19

Suggested product mounting hardware: #6 fastener (head diameter 0.250" - 0.280"), torque to 10 in. lbs.

ACCESSORIES:

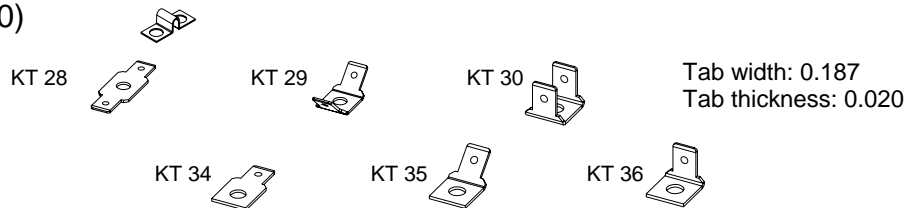
- JJ (GDI-30F) Material available. Glass-fiber filled, diallyl ortho-phthalate. UL-94 V0. Certifiable to Military Specifications MIL-M-14 and MIL-P-19833.
- Insulator strips - sub mounted, black only (BB) (Printing Unavailable). Insulator Strip will be the same width as the molding. (IS 599 XX)
- Marking strips - sub mounted or top mounted. Can be made from XP (general purpose laminate), XXXPFR (flame retardant), GME (glass cloth melamine), or GEE (glass cloth epoxy) material. (For Printing Options,



- Cover - in white or black (CW or CB)

- Line to Line Jumper (J 600)

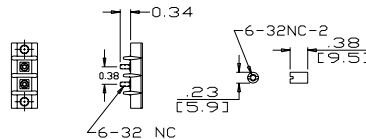
- Quick Connects



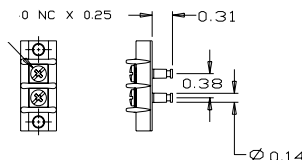
- Half Quick Connects

- Half Solder Terminal (3/4 ST)

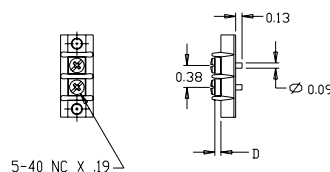
- Stud (2002)



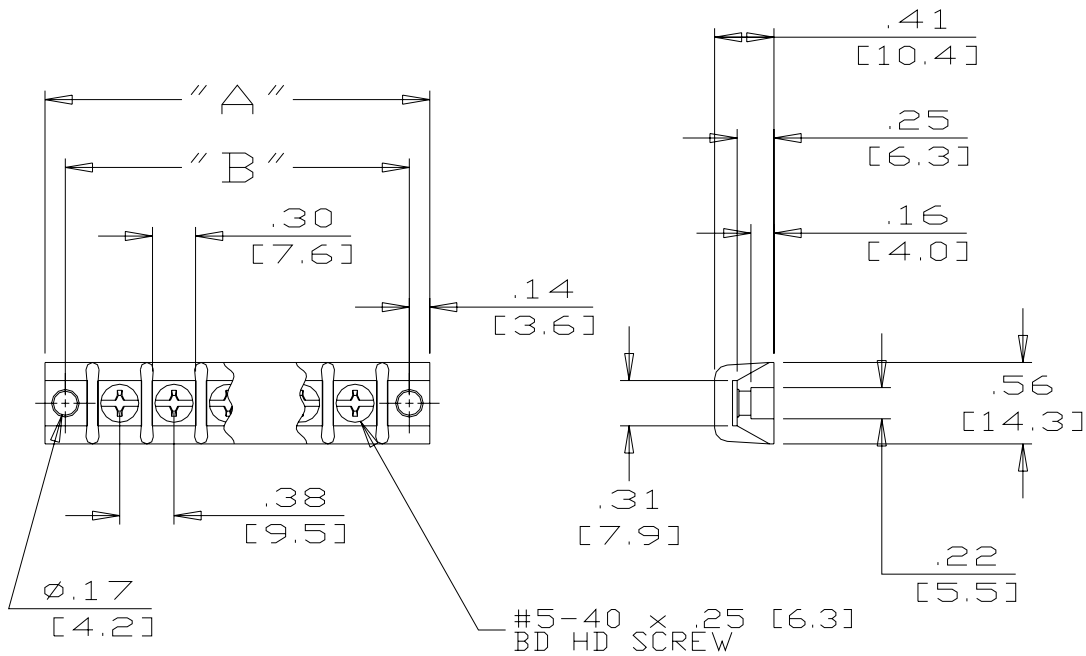
- Feed-Thru Solder (2004)



- Solder Pin



SOLDER PIN	"D" DIM
2020	0.09
2021	0.03



Catalog No	# of Poles	Dimensions		X	Catalog No	# of Poles	Dimensions	
		A	B				A	B
599 GP 01 PSB	1	1.03	0.75	X	599 GP 16 PSB	16	6.66	6.38
599 GP 02 PSB	2	1.41	1.13	X	599 GP 17 PSB	17	7.03	6.75
599 GP 03 PSB	3	1.78	1.50	X	599 GP 18 PSB	18	7.41	7.13
599 GP 04 PSB	4	2.16	1.88	X	599 GP 19 PSB	19	7.78	7.50
599 GP 05 PSB	5	2.53	2.25	X	599 GP 20 PSB	20	8.16	7.88
599 GP 06 PSB	6	2.91	2.63	X	599 GP 21 PSB	21	8.53	8.25
599 GP 07 PSB	7	3.28	3.00	X	599 GP 22 PSB	22	8.91	8.63
599 GP 08 PSB	8	3.66	3.38	X	599 GP 23 PSB	23	9.28	9.00
599 GP 09 PSB	9	4.03	3.75	X	599 GP 24 PSB	24	9.66	9.38
599 GP 10 PSB	10	4.41	4.13	X	599 GP 25 PSB	25	10.03	9.75
599 GP 11 PSB	11	4.78	4.50	X	599 GP 26 PSB	26	10.41	10.13
599 GP 12 PSB	12	5.16	4.88	X	599 GP 27 PSB	27	10.78	10.50
599 GP 13 PSB	13	5.53	5.25	X	599 GP 28 PSB	28	11.16	10.88
599 GP 14 PSB	14	5.91	5.63	X	599 GP 29 PSB	29	11.53	11.25
599 GP 15 PSB	15	6.28	6.00	X	599 GP 30 PSB	30	11.91	11.63

MM = Dim X 25.4

WWW.MARATHONSP.COM

1-419-352-8441