

Product Data Sheet



605 GP XX SLB

Replace "XX" with 01 through 06 for number of poles

Terminal Block– Open Back
90 Amps, 600 Volts (AC/DC)



(6 Pole shown)

Insulator Strip Required for Voltage Rating

Copper Wire Only

Wire Range with prepared conductors: #2 - #8 AWG
Wire Range with unprepared wire: 10 - 14 AWG solid

1 1/8" Centers

Application torque: 20 in. lbs

Electrical Ratings:

- 90A with wire binding screw, (Based on NEC Table 310-16, 75°C columns)
- 600 Volts AC/DC (UL 1059 Classes B and C, Use Group – Commercial Appliances and Industrial)
- Short Circuit Current Rating: 10,000A (Default)
- Approved for Factory Wiring.

Mechanical Ratings:

- Maximum insulator base temperature: 150°C (302°F)* UL RTI
 - Flammability rating of insulator base: UL 94V-0
- * Use outside these ratings needs to be judged in the end-use application.

Materials:

- Connector: Brass, nickel plated.
- Insulator base: Phenolic
- Screw, #1/4-28 Binder head, Slotted: Brass, nickel plated
- Rivet: Brass, tin plated.

Agency Approvals:

- UL Recognized, UL 1059 Terminal Block Standard, File No. XCFR2.E47811
- CSA Certified, CSA C22.2 No. 158, File No. LR19766
- CE compliant, IEC 60947-7-1
- RoHS Compliant

Wire Range:

Wire Size	Torque	Copper Wire Stranding Classes - Number of Strands		
		Solid	Class B	Class C
2	20 in. lbs	1	7	19
4	20 in. lbs	1	7	19
6	20 in. lbs	1	7	19
8	20 in. lbs	1	7	19
10	20 in. lbs	1		
12	20 in. lbs	1		
14	20 in. lbs	1		

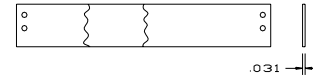
Suggested product mounting hardware: #10 fastener, torque to 25 - 30 in. lbs.

ACCESSORIES:

- JJ (GDI-30F) Material available. Glass-fiber filled, diallyl ortho-phthalate. UL-94 V0. Certifiable to Military Specifications MIL-M-14 and MIL-P-19833.

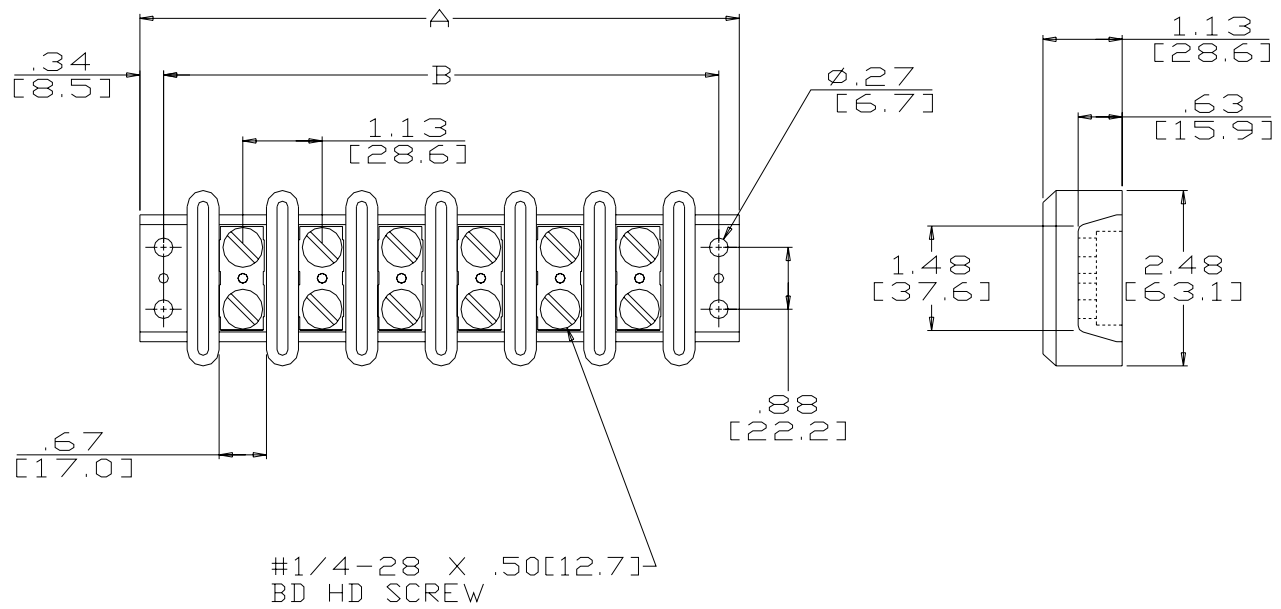
- Printing (for printing options, see Terminal Block Printing on website)

- Marking strips - sub mounted or top mounted. Can be made from XP (general purpose laminate), XXXPFR (flame retardant), GME (glass cloth melamine), or GEE (glass cloth epoxy) material. (For Printing Options, see section on website)



- Insulator strips - sub mounted, black only (BB) (Printing Unavailable). Insulator Strip will be the same width as the molding.

- Phil-Slot Brass Screw (PSB)



Dimensions

		A	B
605 GP 01	1	2.88	2.25
605 GP 02	2	4.00	3.38
605 GP 03	3	5.13	4.50
605 GP 04	4	6.25	5.63
605 GP 05	5	7.38	6.75
605 GP 06	6	8.50	7.88

MM = Dim X 25.4

WWW.MARATHONSP.COM
1-419-352-8441