

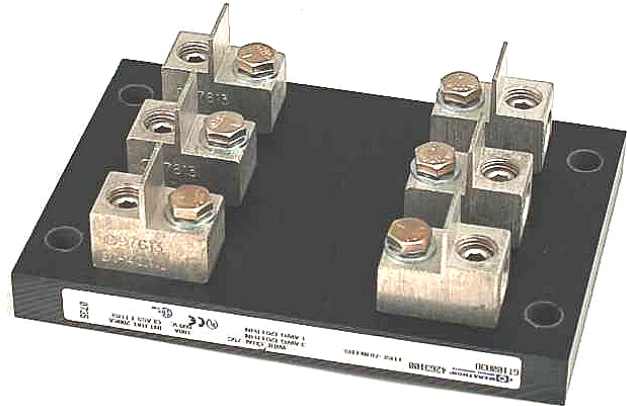
# Product Data Sheet



## 6T100AXB

(Replace "X" with 1 or 3 for number of poles)

### Class T Fuse Holder 100 Amps, 600 Volts AC/DC



#### Wire Range:

#2/0 - #14 AWG CU

#2/0 - #12 AWG AL

**Holds fuse size 13/16" diameter X 2 61/64"**

Commonly used fuses in this holder: A6T, JJS, JLLS

[See table below for wire sizes.](#)

#### Electrical Ratings:

- 61 - 100A max (amperage rating based on maximum fuse rating for that physical size)
- 600 Volts AC/DC
- Approved for 200,000 Amp Withstand Rating

#### Mechanical Ratings:

- Maximum insulator base temperature: 130°C (266°F) UL RTI
- Flammability rating of insulator base: UL 94 HB
  - Use outside these ratings needs to be judged in the end-use application.

#### Materials:

- Connector: High conductivity aluminum, tin plated
- Insulator base: Phenolic Laminate
- Terminal set screws: Aluminum, tin plated
- Belleville Washer: Steel, zinc plated
- Bolt: Steel, nickel plated
- Connector mounting screws: Steel, zinc plated

#### Agency Approvals:

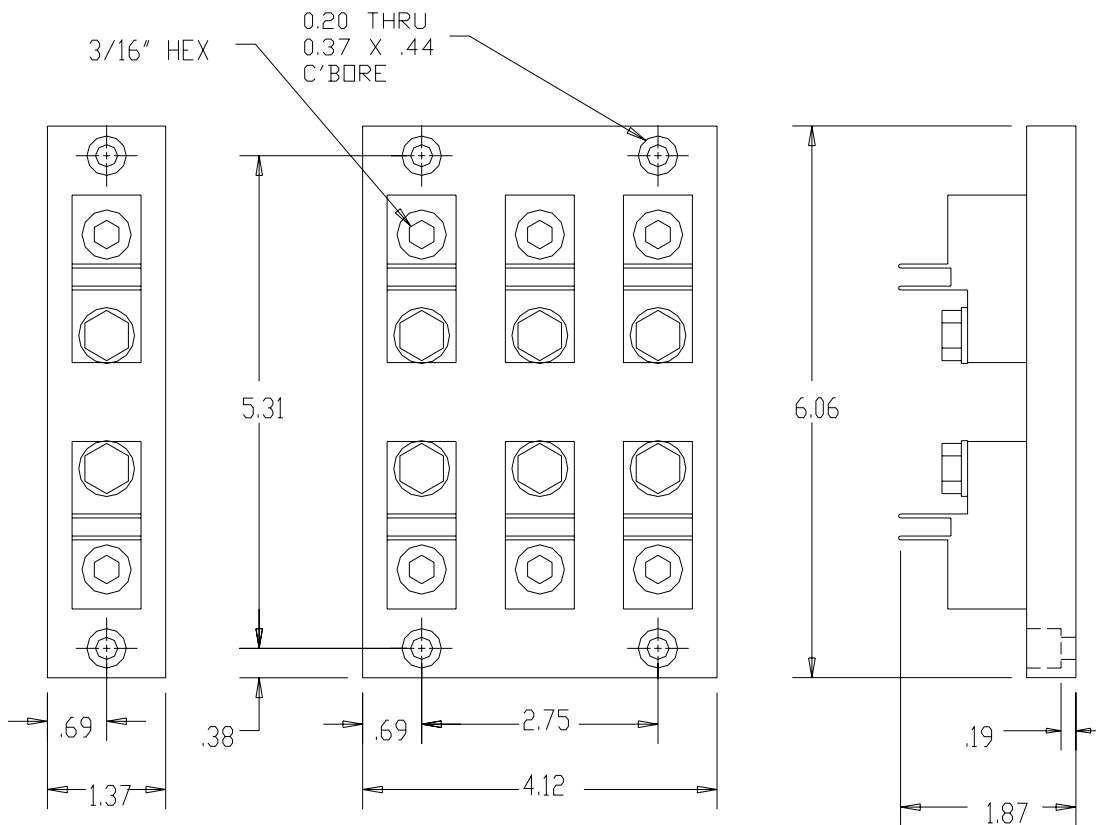
- UL Listed, Fuseholder standards UL 4248-1 and UL 4248-15.
- UL File No. IZLT.E35113
- CSA Certified, CSA C22.2 No. 39 – M1987, File No. LR21455
- CE compliant to IEC 60947-1
- RoHS Compliant

### Wire Approvals:

Wire Size	Torque		Copper Wire Stranding Classes - Number of Conductors		
	N-m	In. lbs	Solid	Class B	Class C
2/0 AWG	13.6	120		1	1
1/0	13.6	120		1	1
1	13.6	120		1	1
2	13.6	120		1	1
4	13.6	120		1	1
6	13.6	120		1	1
8	4.5	40		1	1
10	4.0	35	1	1	1
12	4.0	35	1	1	1
14	4.0	35	1	1	1

Aluminum Stranded Wire Range: #2/0 - #12 AWG

- Wire strip length – 3/4"
- Hex key needed – 3/16"
- Panel mountable: #10 (M5) fastener, torque to 25-30 in. lbs. (2.8 - 3.4 N-m)



[WWW.MARATHONSP.COM](http://WWW.MARATHONSP.COM)  
1-419-352-8441