



marathon[®]
Special Products

Product Data Sheet EPBAP86

Power Distribution Block, Enclosed

760 Amps 600 Volts AC/DC

Wire Range

- Line: (2) 500 kcmil - #4 AWG
- Load: (12) #4 - #14 AWG

Electrical Ratings

- 760 Amps (675A CSA)
- 600V per UL 1059 & CSA 22.2 No.158, class B & C requirements
- Short circuit current ratings (SCCR): See SCCR section below for specifications.
- CU7AL - 75°C connector terminal rating with copper or aluminum wire
- Touch protection: IP-20 (IEC 60529)
- Factory & Field Wiring

Agency Compliance

- UL Listed, Investigated to UL 1953, File QPQS.E309401. 760A
- CSA - certified to C22.2 No. 158, File No. LR19766 (wire classes B & C only) 675A
- CE compliant to IEC 60947-7-1 (Pending)

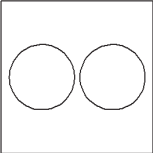
Material Information

- Insulator base:
 - Thermoplastic
 - Flammability rating of insulator base UL94V0
 - Insulator base temperature rating: -40°C to 125°C (UL RTI)
- Connector: plated aluminum
- Terminal set screws: plated steel
- Connector mounting screws: plated steel
- RoHS compliant

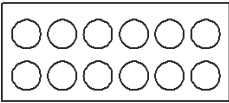
A Regal Brand

REGAL

Termination Specifications

Line Side	Wire Size (CU Stranded)	Torque	Wires / Terminal	Wire Class (UL) ¹
	500 kcmil - 2 AWG	42.3 N·m (375 lbf·in)	1	B, C
	350 kcmil - 2 AWG	42.3 N·m (375 lbf·in)	1	B, C, G, H, I
	4 AWG	42.3 N·m (375 lbf·in)	1	B, C

- Aluminum stranded wire range: 3/0 - 6 AWG
- Wire strip length: 1-7/16 in. (36.5mm)
- IP-20 protection:
 - With break-away tab - 3/0-4 AWG
 - Without break-away tab - 500 kcmil - 4/0 AWG
 - No wire present-remove tab and use plug (Catalog No. EPB-Plug-500)
- Terminal screw drive: 5/16 inch hex

Load Side	Wire Size (CU Stranded)	Torque	Wires / Terminal	Wire Class (UL) ¹
	4	4 N·m (35 lbf·in)	1	B, C
	6 - 8	4 N·m (35 lbf·in)	1	B, C, G, H, I
	10	4 N·m (35 lbf·in)	1 - 2	B, C, I
	12 - 14	4 N·m (35 lbf·in)	1 - 2	I
			1 - 4	B, C

- Solid copper wire range: #10 - 14
- Aluminum wire range: #4 - #6 AWG
- Wire strip length:
 - top row: 1-3/16 in. (21mm)
 - bottom row: 1-1/4 in. (32mm)
- Terminal screw drive: 1/8 inch hex drive
- IP-20 protection: 4 - 14

¹ For information on copper stranded wire classes please reference:
<http://www.marathonsp.com/CatalogPDFs/Flexible-Stranded-Wire.pdf>

Short Circuit Current Ratings (SCCR)

- The suitable conductor ranges are limited to the table values only for achieving the SCCR in excess of the default rating of 10,000A.
- Other conductor combinations within the "Terminal Specifications" noted are suitable for achieving a SCCR of 10,000A (the default rating of terminal blocks).
- Enclosure size – Investigated with a minimum 16X12X6 enclosure. Use in smaller enclosures is subject to end use evaluation.

SCCR With Fuses

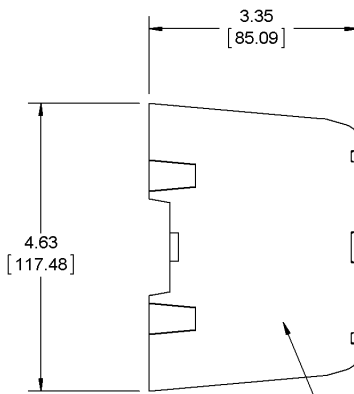
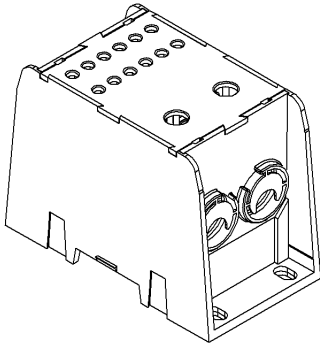
Wire Class	Suitable Conductors		Max Overcurrent Protection Fuse Required						SCCR RMS Sym. Amps 600V. Max
			Amp Rating / Class						
	Line	Load	J	T	RK1	RK5	G	CC	
B, C	500-4	4-10	350	350	200	100	60	30	100,000
G, H, I	350-4	6-10	350	350	200	100	60	30	100,000
(*)	500 - 6	4 - 14	None						10,000

* Any wire class evaluated (see terminal specification section)

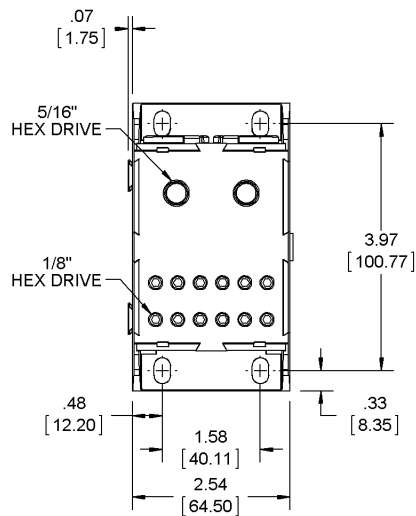
Installation & Accessories

- Mounting (Panel) - For use with 1/4" (6 mm) fasteners.
- Terminal Allen wrench sizes:
 - Line side 5/16 inch hex drive
 - Load side 1/8 inch hex drive

Drawing



PRODUCT INFORMATION, INCLUDING
SCCR RATINGS, ENGLISH & METRIC
WIRE RANGES, APPROVED WIRE CLASSES
AND APPROPRIATE TORQUE VALUES TO
BE PROVIDED ON SIDES OF BLOCK.



STACK-UP DIMENSIONS
(IF DOVETAIL IS USED FOR MULTI-LINES)

