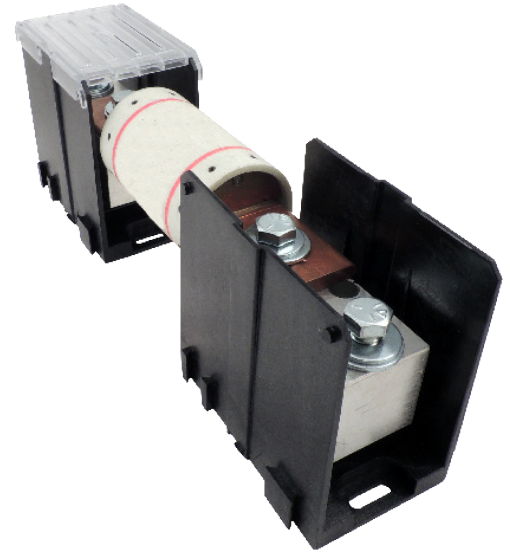


Fuse Holder, Modular Bolt-down

MFH8xx5FF

Replace "XX" with 06 or 15 for Voltage Designation FF
Add suffix "CH" for snap-on hinged cover (MFH8xx5FF CH)
Sold in a pair



Wire Range

- For use with Listed lugs or flexible bus bar

Electrical Ratings

- 800 Amps
- Voltage
 - 600 volts (with MFH6065FF)
 - 1500 Volts (with MFH8155FF)
- SC withstand 200kA (600V), 10kA (1500V)
- Factory & field wiring

Agency Compliance

- UL Recognized fuse holder, evaluated to UL 4248-1, file no. IZLT2.E35113
- cURus - investigated to CSA C22.2 No 4248.1-07

Material Information

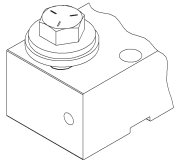
- Insulator base:
 - Thermoplastic
 - Flammability rating of insulator base UL94 V-0
 - Insulator base temperature rating: -40°C to 125°C (UL RTI)
- Connector - Al, tin plated
- Bolt - grade 5 Steel, zinc plated
- Flat washer - Steel, zinc plated
- Bellville washer - Steel, zinc plated
- RoHS compliant

Catalog Number Information

Catalog #	Voltage Rating	Suitable Fuse Types	Amperage Rating	Withstand Rating kA	Fuse, Line, Load Terminal Stud Size
MFH8065FF	600V	Class J	401 - 600A	200kA	1/2" Stud
		Class T	601 - 800A		
		Specialty/Semi-Conductor/High-Speed	800A Max	Note 1	
		Class L			
MFH8155FF	1500V	Specialty/Semi-Conductor/High-Speed	800A Max	10kA	

- Add "CH" behind above part numbers for covers installed
- Note 1: To be evaluated in the end use application. Tested Let-Through Values $I_p (A) = 75kA$, $I^2t (A^2s) = 4,000kA$

Termination Specifications

Line/Load Side	Termination Type	Torque (Lug)	Torque (Flexible bus bar*)	Maximum Lug Width
	Listed lugs or flexible bus bar on 1/2" fasteners	56.5 N·m (500 lbf·in)	56.5 N·m (500 lbf·in)	50.8 mm (2.00")

- For use with conductors prepared with listed connectors such as single hole compression/crimp lugs.
- Conductor size, ampacity, temperature rating and type are dictated by the ratings of the listed lugs utilized and applicable code requirements.
- Suitability for use with rigid bus bar or other conductors or wire connectors to be determined in the end-use application.

*Tested with Erico Flexibar 10 x 50 x 1

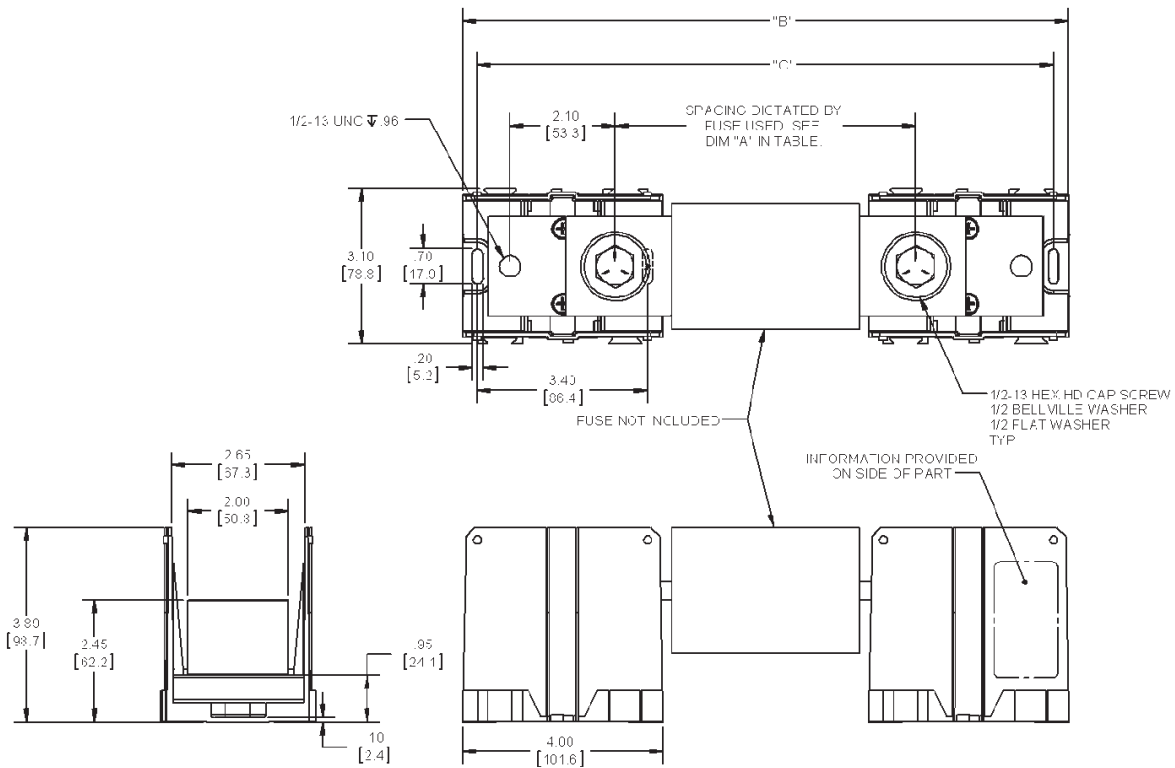
Installation & Accessories

- Mounting:
 - # 10 fastener. Recommended torque of 25 - 30 lbf·in.
- Cover : Clear thermoplastic - CH MFH8

Product Data Sheet



Drawing & Reference Fuse Data



Fuse Information ¹				Dimensional Information		
Fuse Class	Voltage Rating	Amperage Rating	Catalog #	"A" Mounting Distance	"B" Overall Length	"C" Mtg. Hole Distance
FWH	500	700 - 800	MFH8065xx	4.21"	10.31"	9.71"
J	600	450 - 600	MFH8065xx	6.00"	12.10"	11.50"
T	600	601 - 800	MFH8065xx	3.17"	9.27"	8.67"
T	300	601 - 800	MFH8065xx	2.22"	8.32"	7.72"
A50AQS	500	700 - 800	MFH8065xx	4.22"	10.32"	9.72"
FWP	700	700 - 800	MFH8155xx	5.31"	11.412"	10.812"
FWP	700	450 - 600	MFH8155xx	4.96"	11.055"	10.455"
A70QS	700	450 - 600	MFH8155xx	4.85"	10.95"	10.35"
A70QS	700	700 - 800	MFH8155xx	5.10"	11.20"	10.60"
A100P	1000	500 - 600	MFH8155xx	5.72"	11.82"	11.22"
A150X	1500	400 - 600	MFH8155xx	8.19"	14.29"	13.69"
L	600	200 - 800	MFH8065	6.75"	12.85"	12.25"

¹ Not limited to fuses above. Fuses can be evaluated in end use.