

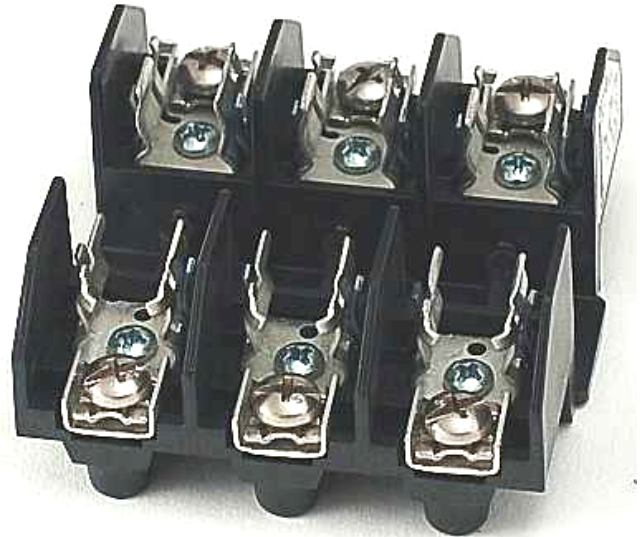
Product Data Sheet



RF30AXSP

Replace "X" with 1, 2 or 3 for number of poles

Reinforced
Class H Fuse Holder
30 Amps, 250 Volts AC/DC



Wire Range:
#10 - #14 AWG Cu

Holds fuse size 9/16" diameter X 2"

Commonly used fuses in this holder: A2Y, CRN, NLN, NON, NRN, OT, OTN, RLN, RF

[See tables below for wire sizes.](#)

Electrical Ratings:

- 0 - 30A max (amperage rating based on maximum fuse rating for that physical size)
- Copper wire only
- 250 Volts AC/DC
- Approved for 10,000 Amp Withstand Rating

Mechanical Ratings:

- Insulator base temperature rating: -40°C/F to 125°C (257°F) UL RTI
- Flammability rating of insulator base: UL 94V-0
- Touch protection: IP-20 (IEC 60529) with optional cover CHR230 (See accessories)
 - Use outside these ratings needs to be judged in the end-use application.

Materials:

- Fuse Clip: Copper alloy, tin plated
- Insulator base: Glass filled polycarbonate (thermoplastic)
- Reinforcing Spring: Steel, zinc plated
- Straddle plate thread forming #10-32 screws: Steel, tin plated
- Fuse Clip anchor screws: Steel, zinc plated

Agency Approvals:

- UL Listed, Fuseholder standards UL 4248-1 and UL 4248-6.
- UL File No. IZLT.E35113
- CSA Certified, CSA C22.2 No. 39 – M1987, File No. LR21455
- CE compliant to IEC 60947-1
- RoHS Compliant

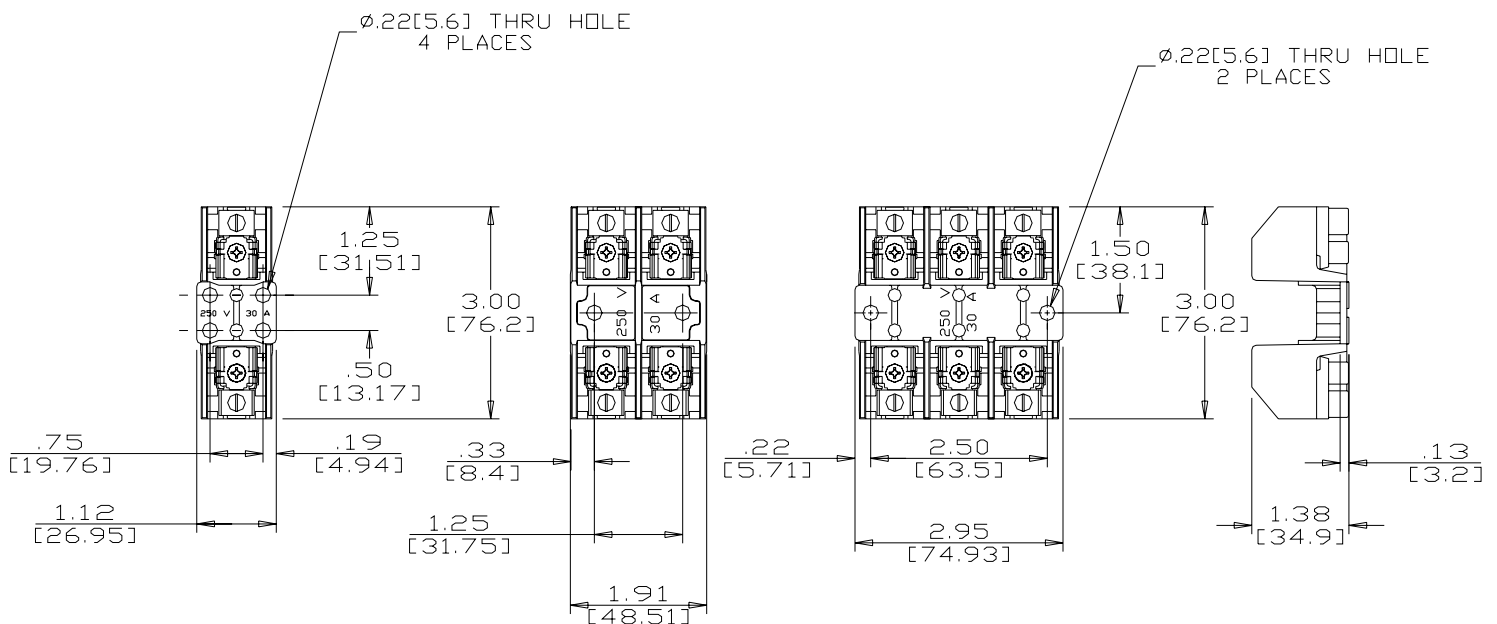
Wire Approvals:

Wire Size	Torque		Copper Wire Stranding Classes - Number of Conductors		
	N-m	In. lbs.	Solid	Class B	Class C
10	2.8	25	1	1	1
12	2.8	25	1	1	1
14	2.8	25	1	1	1

- Wire strip length – 7/16"
- Panel mountable: #10 fastener, torque to 25-30 in. lbs. (2.8 - 3.4 N-m)

Accessories:

- Cover: CHR230. Glass-filled polycarbonate (thermoplastic). 125°C (UL RTI), Flammability rating UL 94 V-0, UL Listed File No. JDVS2.181825.
- DIN Rail Adapter: Din R-1



WWW.MARATHONSP.COM
1-419-352-8441