

Product Data Sheet



ST755M5

Motor Terminal Block
 50 Amps, 600 Volts UL (AC/DC)
 800V CE, 1,100V SANS 1804



- Line and Load side: M5 stud
 Wire range: #8 - #16 AWG (10 -1.5 mm²) stranded Cu wire
 • Studs intended for use with listed crimp/compression lugs.

Electrical and Agency Ratings:

Agency				Amperage			Voltage							
UL 1059	CSA 22.2 #158	CE IEC 60947-7-1	SANS 1804-2	UL/CSA	CE		UL/CSA	CE			SANS			
XCFR2. E62806	XCFR8. E62806	XCHG2. E243117	XCHG2. E243117	Rating	Rating (I _{th})	Short Time Withstand Current (I _{cw})	Rating	Use Group	Rating (U _i)	Material Group	Pollution Degree	Rating	Through air (min.)	Over Surface (min.)
				50	50	1,596	600	C	800	I	3	660	0.39 (10.0)	0.50 (12.7)

Mechanical Ratings:

- Maximum insulator base temperature: 130°C (266°F) UL RTI
- Flammability rating of insulator base: UL 94 V-0
- * Use outside these ratings needs to be judged in the end-use application.

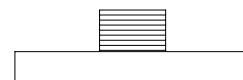
Materials:

- Link: Copper, nickel plated
- Insulator base: Thermoset polyester
- Threaded stud: Steel, nickel plated
- Hex nut: Steel, zinc plated
- Flat washer: Steel, zinc plated
- Lock washer: Steel, zinc plated
- RoHS Compliant
- REACH Compliant

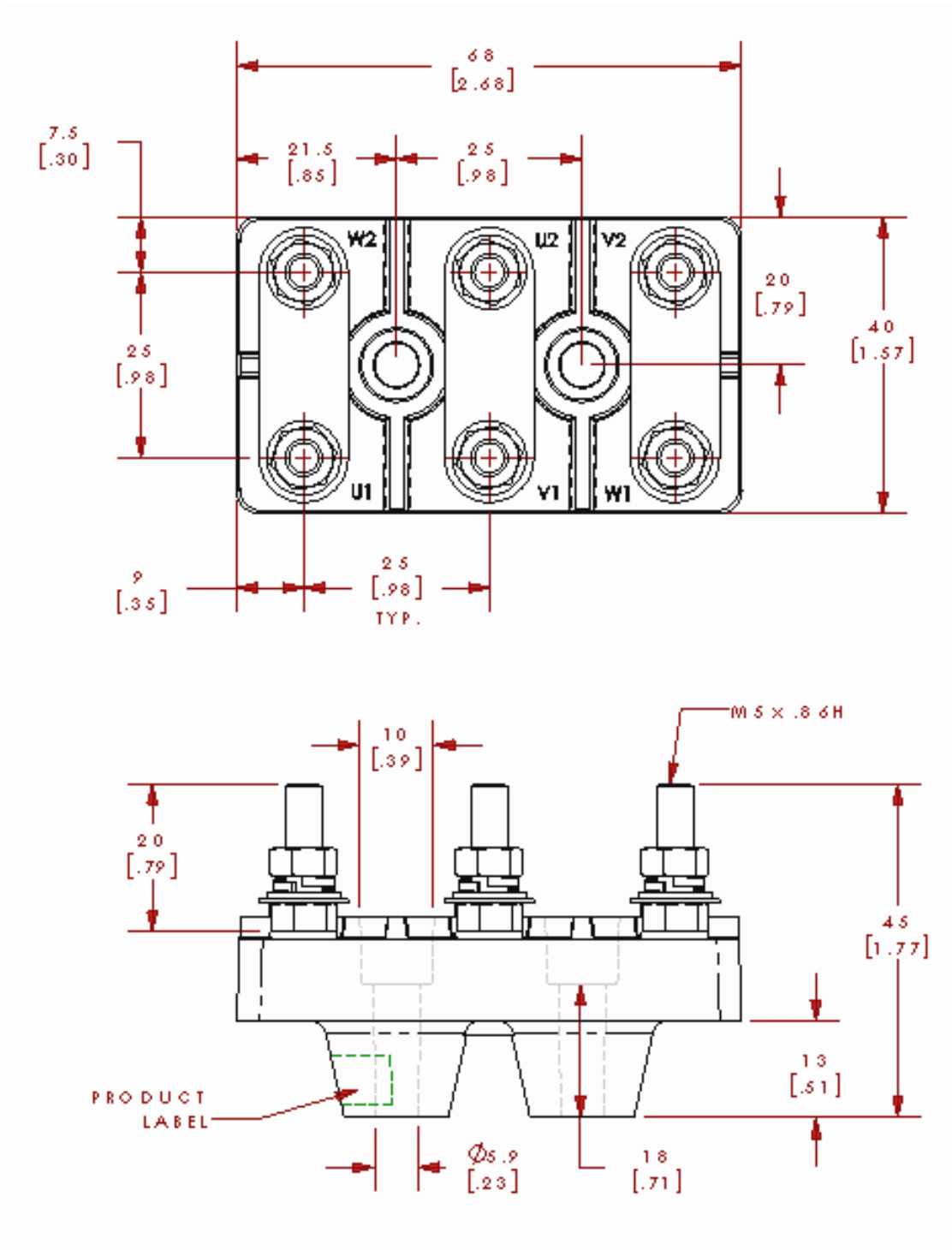
Torque:

Line and Load Side Torque:

- Wire range: #8 - #16 AWG (10 – 1.5 mm²) Stranded Cu wire
- 35 in. lbs. (4 N·m)
- Hex nut: 8 mm across flats



- Panel mountable: #8 (M4) fastener, torque to 15 – 20 in. lbs. (1.7 – 2.3 N·m)



WWW.MARATHONSP.COM

1-419-352-8441

PDS 0417 REV A 12/21/10