

January 15, 2020

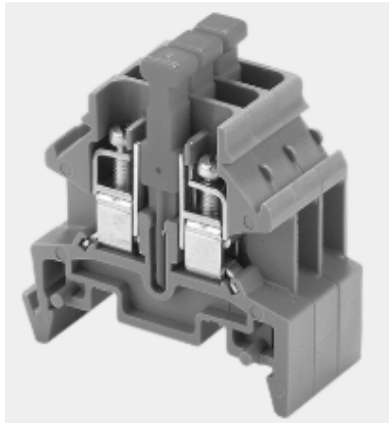
PRODUCT OBSOLESCENCE ANNOUNCEMENT

Due to reduced demand, Marathon Special Products is eliminating the **MIKTS4** (Disconnect Switch) and the **MIKS15** (Fused Terminal) Din Sectional Terminal Block from our product offering effective April 1, 2020.

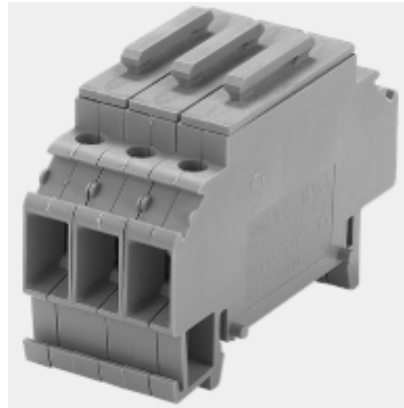
Along with these two din sectional terminal blocks, we will also be obsoleting a number of hardware accessories as well:

- Insulating Partitions = **MIW70**
- Connecting Strap = **MVL2- 2; MVL4-2; MVL6-2; MVL25**
- Safety Cover = **MKAW2; MKAW10; MKAW25**

MIKTS4 (Disconnect Switch)



MIKS15 (Fused Terminal)



We will continue to offer other Din (Euro Style) Sectional Terminal Blocks such as the MIK3, MIK5, MIK 10 etc.. These all can be found on our website using the following link seen below.

Din Sectional Website Link: <https://www.marathonsp.com/din-euro-style-sectional-terminal-blocks.php>

All parts noted above are obsolete effective immediately, and no longer available. Feel free to email or reach out to me with any questions or concerns you may have in regards to this change.

Thank You,

Zachary Yeckley
Technical Marketing Specialist, Marathon Special Products
Zach.yeckley@regalbeloit.com
Office: 419-373-4213